

MAX 20 HT CV
MAX 30 HT CV



Technical data
Dati tecnici
Données techniques
Datos técnicos
Технические характеристики



Operating instructions
Istruzioni per l'uso
Notice d'emploi
Manual de uso
Руководство по эксплуатации



Electric and hydraulic diagrams
Schemi elettrico e idraulico
Schémas électrique et hydraulique
Esquemas eléctrico e hidráulico
Электрические и гидравлические схемы



Spare parts list
Pièces de rechange
Parti ricambi
Piezas de recambio
Запчасти



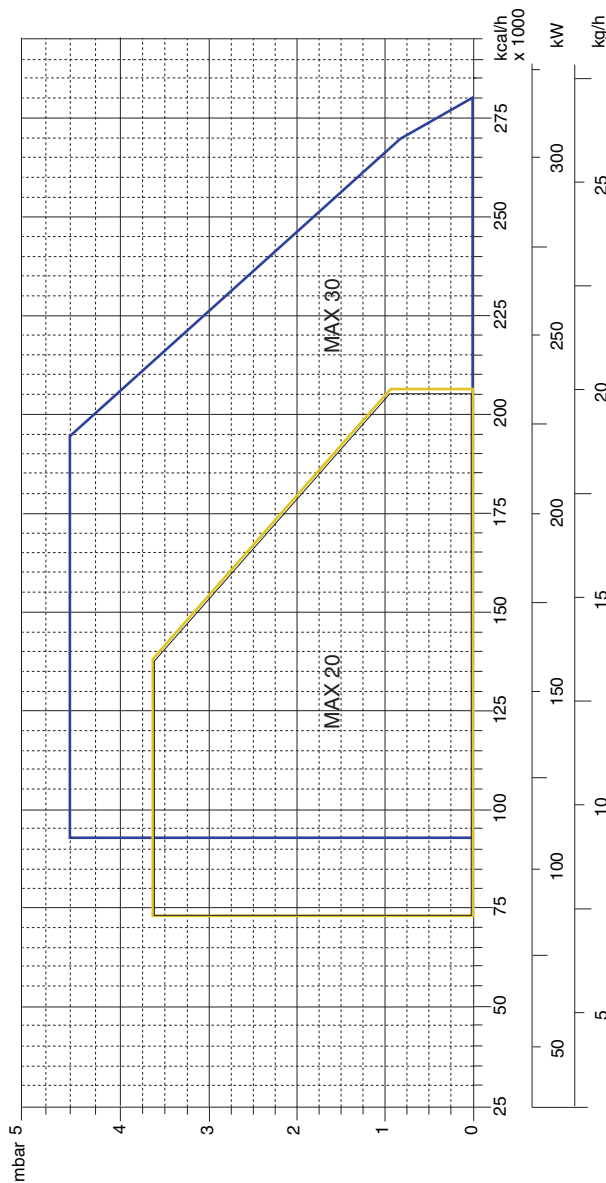
420010580401

MAX 20 TC HT 230-50 TW CV	3144315
MAX 20 TL HT VC 230-50 TW	3143829
MAX 30 TC HT 230-50 TW CV S	3145076
MAX 30 TL HT 230-50 TW CV	3145068

Overview - Index of contents / Panoramica - Indice dei contenuti / Vue d'ensemble - Table des matières
Descripción - Sumario / Обзор - Содержание

<p>Technical data Dati tecnici Données techniques Datos técnicos Технические характеристики</p>	<p>EN IT FR ES RU</p>	<p>3</p>
<p>Working fields Campi di lavoro Domaine de fonctionnement Ámbito de funcionamiento Рабочий диапазон</p>	<p>EN IT FR ES RU</p>	<p>4</p>
<p>Dimensions Dimensioni Dimensions Dimensiones Размеры</p>	<p>EN IT FR ES RU</p>	<p>5</p>
<p>Operating instructions for authorised specialists</p>	<p>EN</p>	<p>6 - 17</p>
<p>Istruzione per l'uso per il personale qualificato</p>	<p>IT</p>	<p>18 - 29</p>
<p>Notice d'emploi pour l'installateur spécialiste</p>	<p>FR</p>	<p>30 - 41</p>
<p>Instrucciones de montaje para el instalador especialista</p>	<p>ES</p>	<p>42 - 53</p>
<p>Инструкция по эксплуатации Предназначено для квалифицированных специалистов по установке</p>	<p>RU</p>	<p>54 - 65</p>
<p>Electric diagrams Schemi elettrico Schémas électrique Esquemas eléctrico Электрические схемы</p>	<p>EN IT FR ES RU</p>	<p>66</p>
<p>Spare parts list Parti di ricambio Pièces de rechange Piezas de recambio Запчасти</p>	<p>EN IT FR ES RU</p>	<p>67 - 68</p>
<p>Conformity declaration Dichiarazione di conformità Déclaration de conformite Declaración de conformidad Сертификат соответствия</p>	<p>EN IT FR ES RU</p>	<p>69</p>

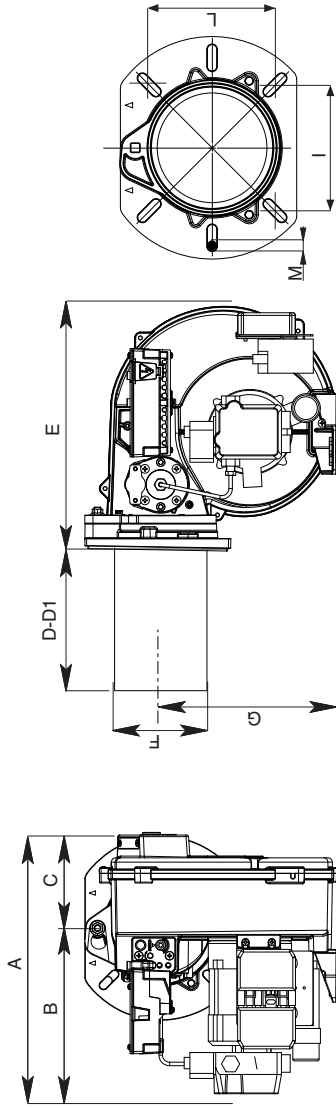
Technical data - Dati tecnici - Données techniques - Datos técnicos - Технические характеристики		MAX 20 HT CV		MAX 30 HT CV	
Burner output max/min kW - kcal/h	Potenza bruciatore max/min kW - kcal/h	Puissance du brûleur max/min kW - kcal/h	Potencia del quemador máx/min kW - kcal/h	Мощность горелки макс./мин., кВт -ккал/час	110
Oil throughput max/min kg/h	Portata gasolio max/min kg/h	Débit de fuel max/min kg/h	Caudal de gasóleo máx/min kg/h	Расход топлива макс./мин., кг/ч	94860
Hydraulic system 1 stage	Sistema idraulico 1 stadio	Système hydraulique 1 allure	Sistema hidráulico 1 etapa	Гидросистема 1 ступень	9,3
Regulating ratio	Rapporto di regolazione	Rapport de régulation	Relación de regulación	Коэффициент регулирования	1
Fuel oil	Combustibile	Fuel	Combustible	Топливо	1:1
Emission class	Classe di emissione	Classe d'émission	Tipo de emisión	Класс выделения загрязняющих веществ	Light oil (L.C.V. 10.200 kcal/kg max. visc 1,5°E at 20°C) (EL) Hu = 11,86 kWh/kg
Control box	Apparecchiatura di controllo	Coffret de sécurité	Cajetín de seguridad	Блок управления и безопасности	Standard Class 2 - OIL EN267 (NOx < 185 mg/kWh)
Air regulation Air flap	Regolazione aria Serranda dell'aria	Réglage de l'air Volet d'air	Ajuste del aire Válvula de aire	Настройка подачи воздуха Воздушная заслонка	ARISTON E-BCU OIL CV
Flame monitor	Rivelatore di fiamma	Surveillance de flamme	Vigilancia de llama	Контроль пламени	sensor
Ignition transformer	Trasformatore d'accensione	Allumeur	Encendedor	Устройство розжига	danfoss / cofi
Fuel-oil pump	Pompa di pressione gasolio	Pompe de pulvérisation fuel	Bomba de pulverización de gasóleo	Насос распыления дизельного топлива	suntec
Electric motor rpm - watt	Motore elettrico giri motore - watt	Moteur rpm - watt	Motor rpm - watt	Электродвигатель об/мин - watt	2800 rpm 200 W
Voltage	Tensione	Tension	Tensión	Напряжение	230 V / 50 Hz
Power consumption (operation)	Potenza elettrica assorbita (Esercizio)	Puissance électrique absorbée (en service)	Pot. eléctrica absorbida (en funcionamiento)	Потребляемая электрическая мощность: (при работе)	450 W 450 W
Net weight	Peso netto	Poids net	Peso neto	Приблизительная масса	12,6 kg 12,6 kg
Protection level	Classe di protezione	Indice de protection	Indice de protección	Класс электрозащиты	IP40
Sound pressure level dB(A)	Livello pressione sonora dB(A)	Niveau pression acoustique dB(A)	Nivel de presion acústico dB(A)	Уровень шума, dB(A)	70 70
Ambient temp. for storage	Temperatura ambiente di stoccaggio	Température ambiente de stockage	Temperatura ambiente de almacenamiento	температура хранения	-20°...+70° C
Temperature for use	Temperatura d'utilizzazione	Température d'utilisation	Temperatura ambiente de utilización	Рабочая температура	-10°...+60° C



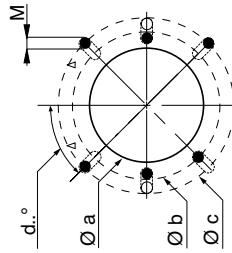
<p>Working field The working field shows burner output as a function of combustion chamber pressure. It corresponds to the maximum values specified by EN 267 measured at the test fire tube.</p> <p>The efficiency rating of the boiler should be taken into account when selecting a burner.</p> <p>Calculation of burner output: $QF = \frac{Q_N}{\eta_k}$ $QF = \text{Burner output (kW)}$ $Q_N = \text{Rated boiler output (kW)}$ $\eta_k = \text{Boiler efficiency (\%)}$</p>	<p>Curva Il campo di attività indica la potenza del bruciatore in funzione della pressione della camera di combustione. Corrisponde ai valori massimi previsti dalla norma EN 267 misurati sul tubo della fiamma di controllo.</p> <p>In occasione della scelta del bruciatore si deve tenere conto del rendimento energetico della caldaia.</p> <p>Calcolo della potenza del bruciatore: $QF = \frac{Q_N}{\eta_k}$ $QF = \text{potenza bruciata (kW)}$ $Q_N = \text{potenza nominale della caldaia (kW)}$ $\eta_k = \text{rendimento energetico della caldaia (\%)}$</p>	<p>Domaine de fonctionnement Le domaine de fonctionnement correspond aux valeurs mesurées lors de l'homologation. Elle correspond aux valeurs max mesurées sur tunnel d'essai d'après l'EN 267.</p> <p>Pour le choix du brûleur, tenir compte du rendement de la chaudière.</p> <p>Calcul de la puissance calorifique: $QF = \frac{Q_N}{\eta_k}$ $QF = \text{Puissance calorifique (kW)}$ $Q_N = \text{Puissance nominale chaudière (kW)}$ $\eta_k = \text{Rendement chaudière (\%)}$</p>	<p>Ámbito de funcionamiento El ámbito de funcionamiento corresponde a los valores registrados en el momento de la homologación. Corresponde a los valores máx medidos en el túnel de ensayo según la EN 267.</p> <p>Para la elección del quemador, se ha de tener en cuenta el rendimiento de la caldera.</p> <p>Cálculo de la potencia calorífica: $QF = \frac{Q_N}{\eta_k}$ $QF = \text{Potencia calorífica (kW)}$ $Q_N = \text{Potencia nominal de la caldera (kW)}$ $\eta_k = \text{Rendimiento de la caldera (\%)}$</p>	<p>Рабочий диапазон Рабочий диапазон соответствует значениям, измеренным при сертификации. Он соответствует максимальным значениям, измеренным в соответствии со стандартом EN 267 в стандартном канале.</p> <p>При выборе горелки необходимо учитывать КПД котла.</p> <p>Расчет тепловой мощности: $QF = \frac{Q_N}{\eta_k}$ $QF = \text{Тепловая мощность, кВт}$ $Q_N = \text{Номинальная мощность котла, кВт}$ $\eta_k = \text{КПД котла, \%}$</p>
--	--	--	---	--

Overview - Dimensions / Panoramica - Dimensioni / Vue d'ensemble - Dimensions / Descripción - Dimensiones / Обзор - Размеры

MAX 20 - 30 HT



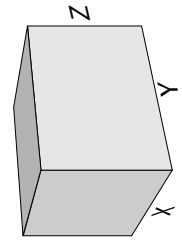
Model	A	B	C	D	D1	E	F	G	I	L	M
MAX 20 HT	392	202	190	160	260	276	125	201	120/131	120/131	M8
MAX 30 HT	392	202	190	160	260	276	125	201	120/131	120/131	M8



Boiler plate drilling

Model	Ø a	Ø b	Ø c	d.º
MAX 20 HT	135	153	190	45º
MAX 30 HT	135	153	190	45º

Packaging



Model	X	Y	Z	Kg
MAX 20 HT	430	610	325	15,7
MAX 30 HT	430	610	325	15,7

Contents - Index - General warnings

Overview	Technical data	3
	Working fields	4
	Dimensions	5
Contents	Index	6
	General warnings	6
	Burner description	7
Function	General safety functions	8
	E-BCU OIL control and safety unit	9
	Oil burner pump	10
Installation	Burner assembly	11
	Electrical connection	12
	Checks before commissioning	12
	Oil feeding and suction line	13
Start up	Setting data table - air regulation	14
	Adjusting burner output	15
	Oil pressure regulation	15
Service	Maintenance	16
	Troubleshooting	17
Overview	Electrical diagrams	66
	Spare parts list	67-68
Contents	Conformity declaration	69

Important notes

The MAX burners are designed for the combustion of domestic fuel oil EL in accordance with EN267 standards.

Assembly, commissioning and maintenance must be carried out only by authorised specialists and all applicable guidelines and regulations must be observed.

Burner description

The MAX burner is a single-stage, fully-automatic monoblock-type burner. It is suitable for use, within its range of performance, with boilers complying with EN 303 or hot-air generators in line with DIN 4794, DIN 30697 or EN 621. Use for any other application requires the approval of Ecoflam.

The following standards should be observed in order to ensure safe, environmentally sound and energy-efficient operation:

EN 226

Connection of vaporising oil and forced draught gas burners to the heat generator.

EN 60335-2

Safety of electrical equipment for domestic use.

Installation location

The burner must not be operated in rooms containing aggressive vapours (e.g. spray, perchloroethylene, hydrocarbon tetrachloride, solvent, etc.) or tending to heavy dust formation or high air humidity. Adequate ventilation must be provided at the place of installation of the furnace system to ensure a reliable supply with combustion air. Variations may arise as a result of local regulations.

We can accept no warranty liability whatsoever for loss, damage or injury caused by any of the following:

- Inappropriate use.
- Incorrect assembly or repair by the customer or any third party, including the fitting of non-original parts.

Provision of the system and the operating instructions

The firing system manufacturer must supply the operator of the system with operating and maintenance instructions on or before final delivery. These instructions should be displayed in a prominent location at the point of installation of the heat generator, and should include the address and telephone number of the nearest customer service centre.

Notes for the operator

The system should be inspected by a specialist at least once a year. It is advisable to take out a maintenance contract to guarantee regular servicing.

Ecoflam burners have been designed and built in compliance with all current regulations and directives.

All burners comply to the safety and energy saving operation regulations within the standard of their respective performance range. The quality is guaranteed by a quality and management system certified in accordance with ISO 9001:2008.

Contents - Burner description

MAX 20 LN TC - HT CV 230-50 TW

RANGE NAME BY FUEL TYPE

MAX Light oil

MODEL SIZE (Gas: kW; Oil: kg/h)

MAX 20 20 kg/h

EMISSION COMBUSTION TYPE

MAX Low NOx Low NOx Class 3 yellow flame (<120 mg/kWh)
 MAX Standard Class 2-OIL EN267 (<185 mg/kWh)

HEAD TYPE

TC Short head
 TL Long head

FUEL

- Light oil / Heavy oil
 KER Kerosene
 BIODIESEL Biodiesel

VERSION

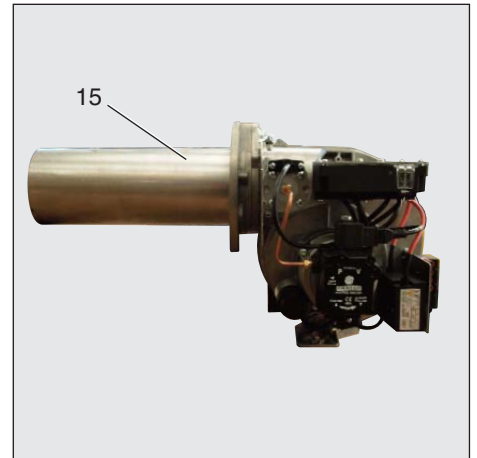
HT High temperature
 CV Continuous ventilation

ELECTRICAL SUPPLY TO THE SYSTEM

230-50 230 Volt, 50Hz

CONTROL BOX

TW Thermowatt

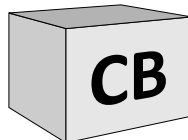


- A1 E-BCU OIL control box
- M1 Electric motor for pump and blower wheel
- T1 Ignition transformer
- Y Graduated rod
- Y1 Solenoid valve
- 3 Air regulation in the burner head
- 5 Fastening screws for equipment plate
- 9 Wieland socket
- 15 Burner flange
- 16 Release knob
- 102 Fuel-oil pump
- 103B Air regulation
- 113 Air damper

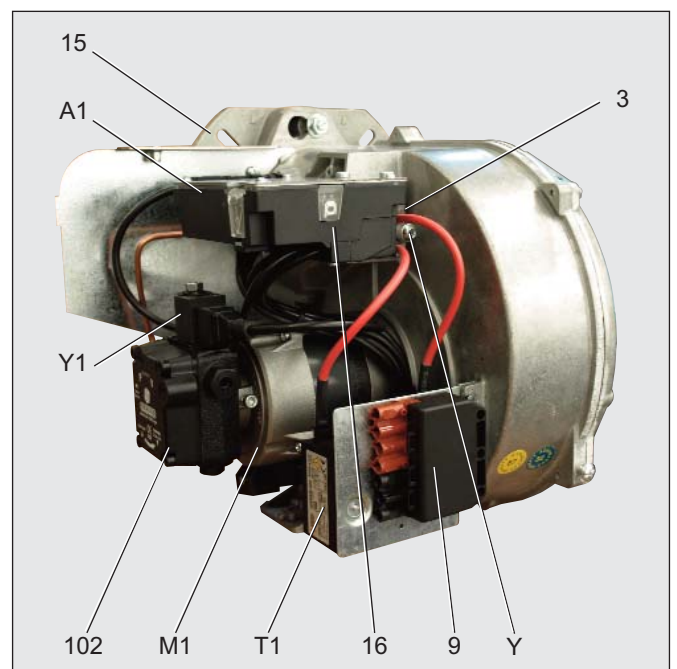
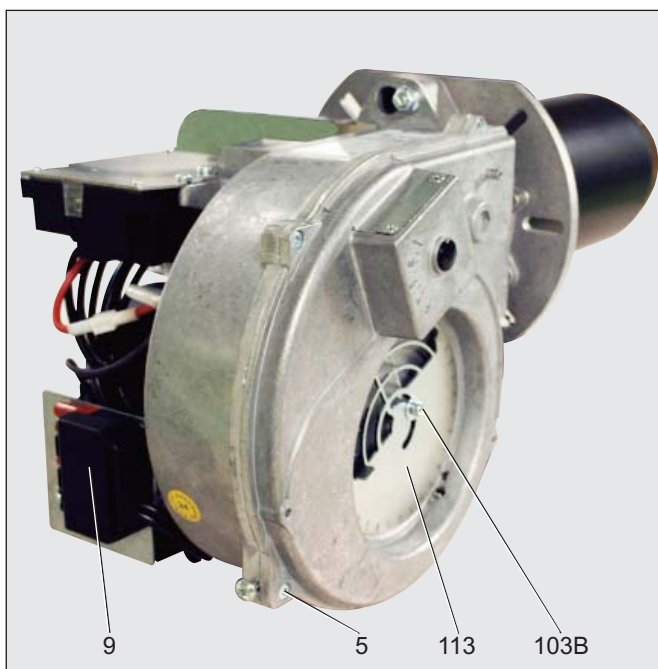
Scope of delivery

CB: COMPLETE BURNER

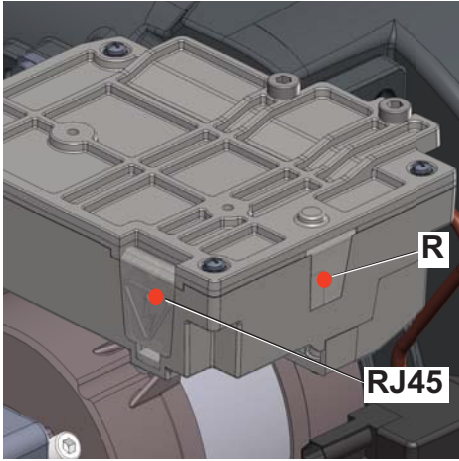
- 1 bag including :
 - multilanguage technical manual.
 - filter and hoses.
 - wieland plug.
 - nozzle and spanner.
 - screws, nuts and washer.



KIT & ACS delivered separately



Function - E-BCU OIL control and safety unit



R - Reset button + lock-out led.

RJ45 - Connector for PC interface (diagnostic, separate item).



KIT E-BCU
DIAGNOSTIC TOOL
(not supplied)

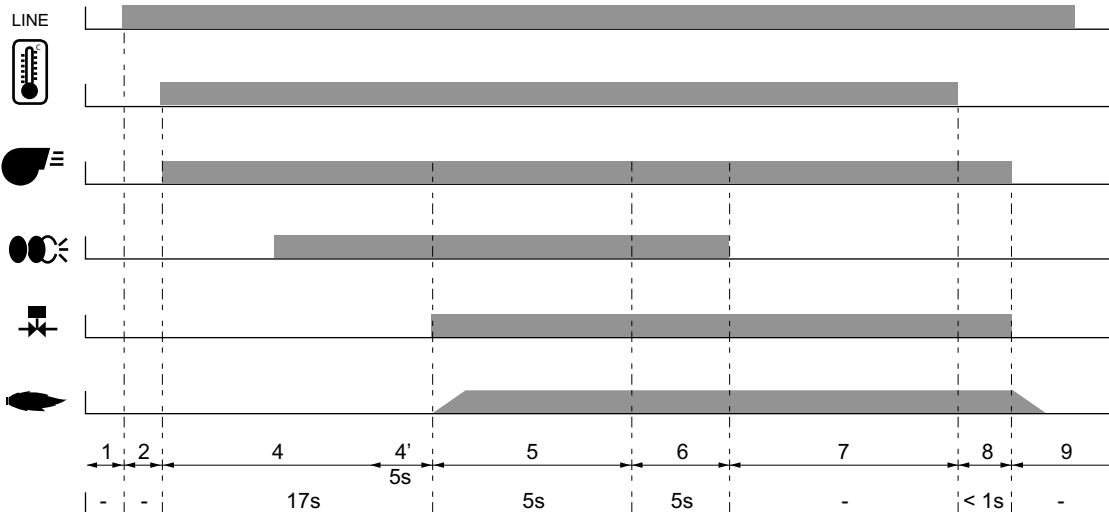
The E-BCU OIL fuel oil control and safety unit controls and monitors the forced draught burner. The microprocessor-controlled program sequence ensures maximum stability of time periods, regardless of fluctuations in the power supply or ambient temperature. The design of the automatic combustion control unit protects it from the effects of brownouts. Whenever the supply voltage drops below its rated minimum level (170 V), the control unit shuts down - even in the absence of a malfunction signal. The control unit switches itself back on again once the voltage has exceeded the 178 V.

Locking and unlocking the system

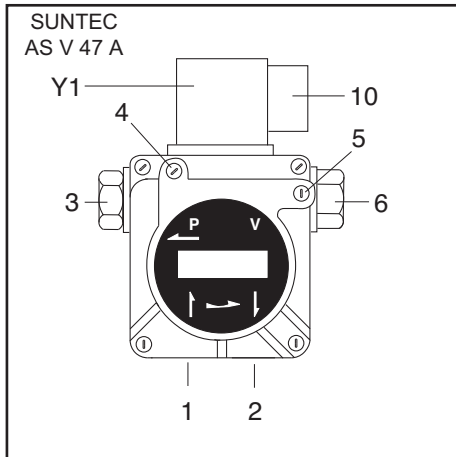
The control unit can be locked (switched to malfunction) and unlocked (malfunction cleared) by pressing the R reset button, provided the system is connected to the mains power supply.

! Always disconnect the power supply before installing or removing the control unit. Do not attempt to open or carry out repairs on the control unit.

Symbol	Designation
	Waiting for heat request
	Burner motor on
	Start of ignition
	Flame present



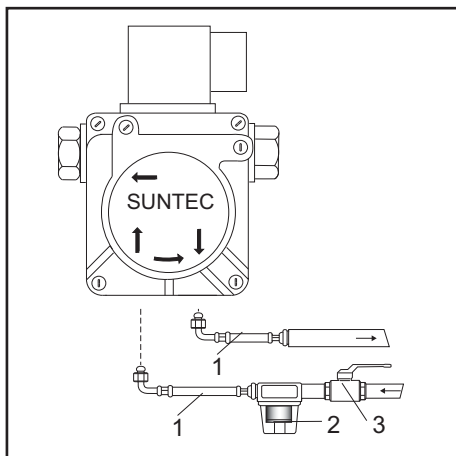
Function - Oil burner pump



- 1 suction intake connection.
- 2 return connection.
- 3 pressure connection.
- 4 oil pressure gauge connection.
- 5 negative pressure gauge connection.
- 6 oil pressure regulator.
- 10 Solenoid valve electrical connection.
- Y1 fuel-oil solenoid valve.

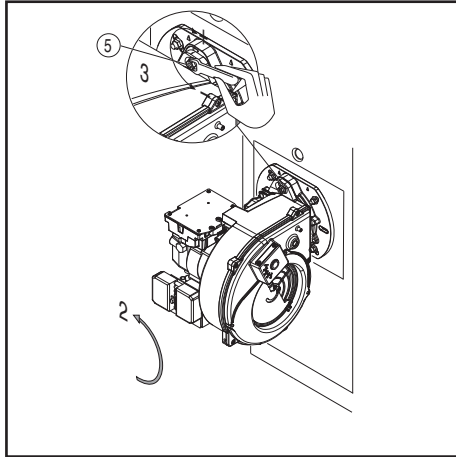
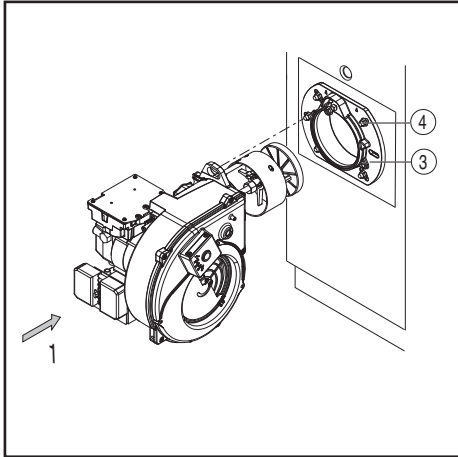
The oil burner pump used is a self-priming gear pump, which must be connected as two-line pump via a bleed filter. There is an intake filter and an oil pressure regulator integrated in the pump. Pressure gauges for pressure measurements and negative pressure measurements must be connected before the equipment is commissioned.

NB: before starting the burner, check that the return pipe is open. An eventual obstruction could damage the pump sealing device.



- 1 Hoses
- 2 Filter
- 3 Oil cock

Installation - Burner assembly



Burner assembly

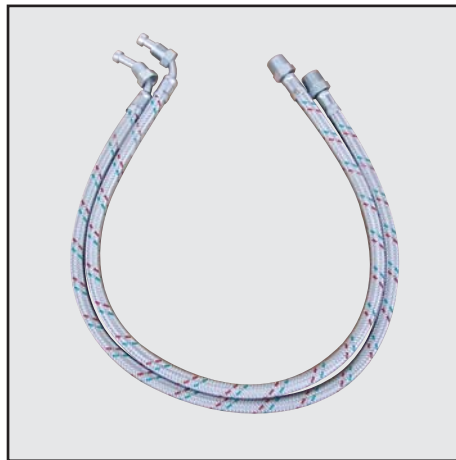
The burner is fixed by mean of connecting flange and therefore to the boiler.

Installation:

- To fix the flange 3 to the boiler with the screws 4.
- Turn the burner slightly, guide it into the flange and secure using screw 5.

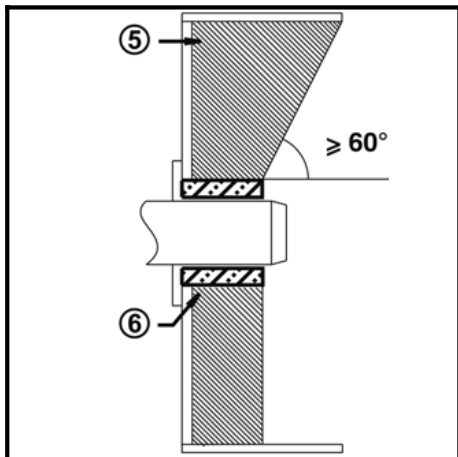
Removal:

- Loosen screw 5.
- Turn the burner out and pull it out of the flange.



Oil connection

The filter must be located in such a way that the correct hose routing cannot be impaired. The hoses must not kink.



Burner pipe insertion depth and brickwork

Unless otherwise specified by the boiler manufacturer, heat generators without a cooled front wall require brickwork or insulation 5 as shown in the illustration. The brickwork must not protrude beyond the leading edge of the flame tube, and should have a maximum conical angle of 60°. Gap 6 must be filled with an elastic, non-combustible insulation material. For boilers with reverse firing, the minimum burner tube insertion depth A as specified in the boiler manufacturer's instructions must be observed.

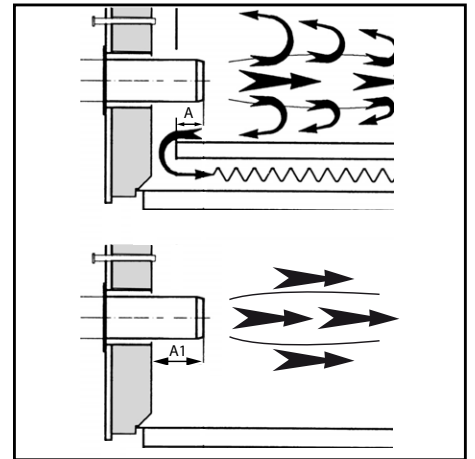
On boilers the blast tube insertion depth should be observed as per the boiler manufacturer's instructions.

Reverse flame boiler :

A = 50-100 mm.

Three pass boilers :

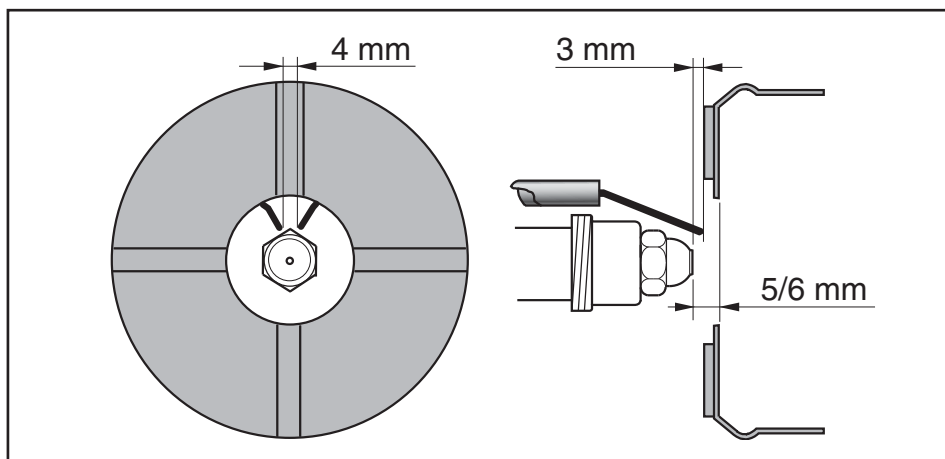
A1 = 50-100 mm.



Exhaust system

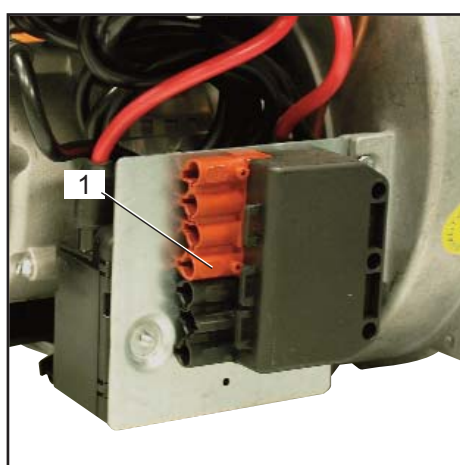
To avoid unfavourable noise emissions, right-angled connectors should not be used on the flue gas side of the boiler.

Installation - Electrical connection - Checks before commissioning



Position of electrodes

Note: Always check the position of electrodes after having replaced the nozzle (see illustration). A wrong position could cause ignition troubles.



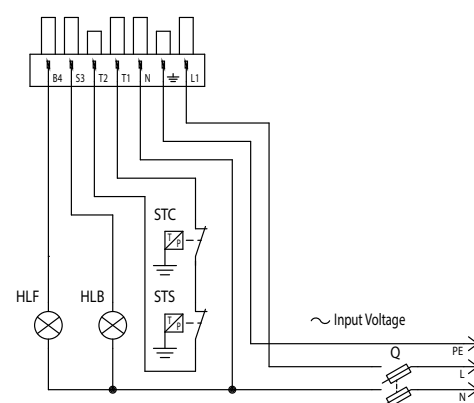
Electrical connection

The electrical installation and connection work must only be carried out by an authorised electrical specialist. All applicable rules and regulations must be observed.

The electrical installation should include a type A circuit breaker.

The applicable guidelines and directives must be observed, as well as the electrical circuit diagram supplied with the burner!

- Check to ensure that the power supply voltage is as specified in the electric diagram and in data plate.
- Burner fuse: 5 A.



Electrical connection (plug-in)

It must be possible to disconnect the burner from the mains using an omnipolar shutdown device complying with the standards in force. The burner and heat generator (boiler) are connected by a 7-pin connector (fig.1).

Checks before commissioning

The following must be checked before initial commissioning:

- That the burner is assembled in accordance with the instructions given here.
- That the burner is pre-set in accordance with the values in the adjustment table.
- Setting the combustion components.
- The heat generator must be ready for operation, and the operating regulations for the heat generator must be observed.
- All electrical connections must be correct.
- The heat generator and heating system

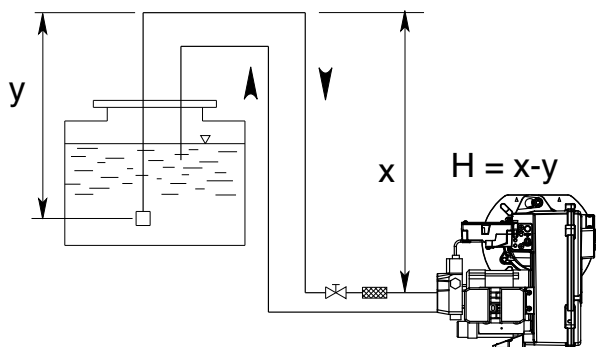
- must be filled with water and the circulating pumps must be in operation.
- The thermostats, pressure regulator, low water detectors and any other safety or limiting devices that might be fitted must be connected and operational.
- The exhaust gas duct must be unobstructed and the secondary air system, if available, must be operational.
- An adequate supply of fresh air must be guaranteed.
- The heat request must be available.
- Fuel tanks must be full.
- The fuel supply lines must be

assembled correctly, checked for leaks and bled.

- A standard-compliant measuring point must be available, the exhaust gas duct up to the measuring point must be free of leaks to prevent anomalies in the measurement results.

Installation - Oil feeding and suction line

Burner lower than tank

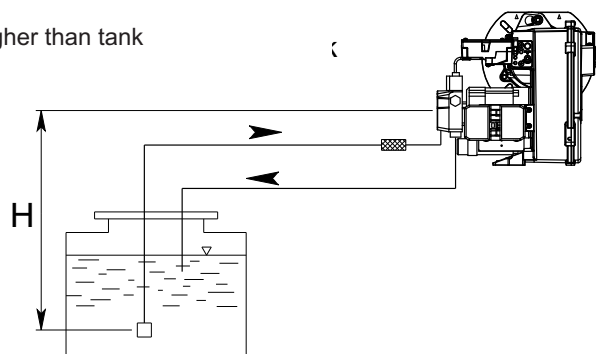


FEEDING LINE WITH SUNTEC D 57 A

H (m)	Length pipe (m)		
	ø 8 mm	ø 10 mm	ø 12 mm
0	37	95	150
0,5	42	107	150
1	47	118	150
2	65	150	150
3	65	150	150
4	74	150	150

N.B. = X < 20 m

Burner higher than tank



H (m)	Length pipe (m)		
	ø 8 mm	ø 10 mm	ø 12 mm
0	37	95	150
0,5	33	84	150
1	28	73	150
2	19	50	107
3	10	27	60
4	0	5	13

Y must be kept as lower as possible in order to avoid cavitation. Anyway Y < 4 m.

Correction of altitude	
Pump in suction (H +) or charging (H -)	
Altitude (m)	Theoretical H (m)
0-500	0
501-800	0,5
801-1300	1,0
1301-1800	1,5
1801-2200	2,0

e.g.: altitude 1100m Theoretical H = 1m actual H 2m, Corrected H for suction 2 + 1 = 3m Corrected H for charging 2 - 1 = 1m.
Choose the Ø of the piping from the table, based on the length expanded between the tank and pump. If corrected H for suction exceeds 4m; make provisions for a transfer pump (max. pressure 2 bar).

! The length of the tubes apply to burners powered by 50 Hz mains electricity; in case of 60 Hz power, divide the relevant lengths by 1.5.

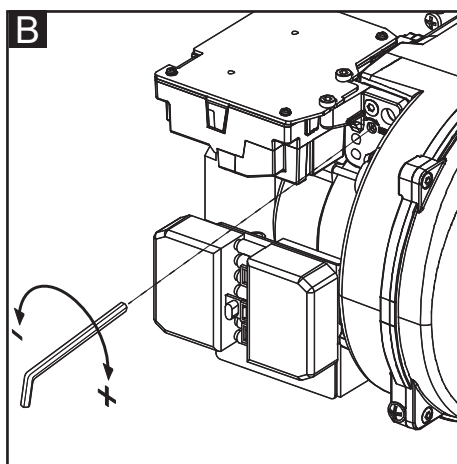
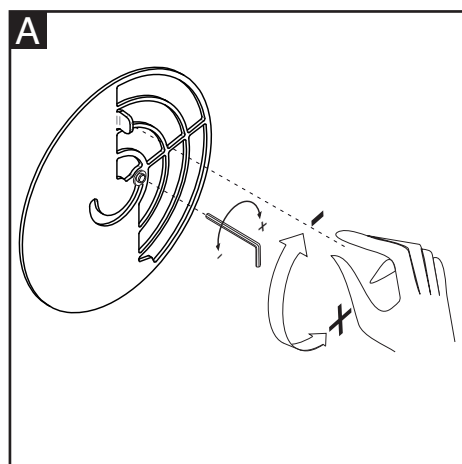
Start up - Setting data table - Air regulation

	NOZZLE		PUMP	OUTPUT	FIRING HEAD SETTING	AIR DAMPER SETTING
	gph	spry	bar	kg/h	Pos.	Pos.
MAX 20 HT	3,50	60°	12		2,5	4,5
MAX 30 HT						

The settings above are **basic settings**. These adjustment values are normally suitable for commissioning the burner. These values have been determined in our test labs and are useful for the first

switch-on as final setting must be done using a combustion analyzer. Favourable combustion values can be achieved using the following nozzles:

DANFOSS H+S 80°+60°
DELAVAN W 60°
STEINEN S 60°



Air damper setting (A).

Unscrew the fixing screw with the hexagonal spanner:

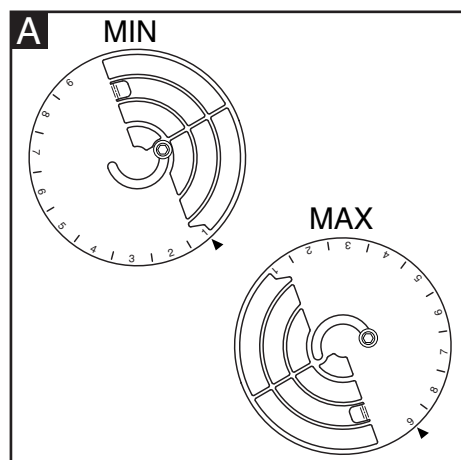
- turn the air damper clockwise, to reduce output.
- turn the air damper counterclockwise, to increase output.

Reached the desired value to fix the screw.

Firing head setting (B).

To act on the screw in figure:

- turn Allen key till you reach the requested value (index 0-5).

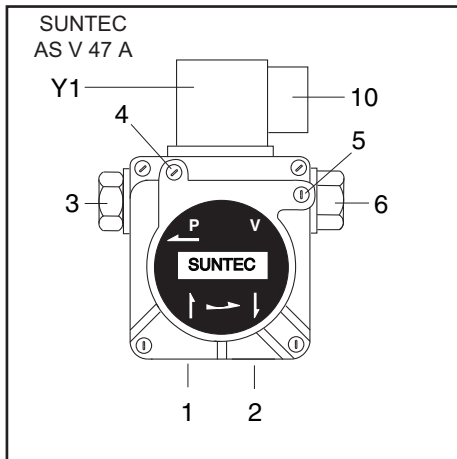


! Risk of air blast!
 Continuously check CO, CO₂ and soot emissions when adjusting the output of the burner. Optimise combustion values in the event of CO formation. CO must not exceed 50 ppm.

Start up - Adjusting burner output - Oil pressure regulation

Burner start

Before starting the burner, draw oil in until the filter is completely filled. Then start the burner by switching on the boiler regulator. Open the bleed screw on the oil filter to allow the oil line to bleed fully during the prevention phase. The negative pressure must not fall below 0.4 bar. Close the bleed screw when the filter is completely filled with oil and oil is flowing out without bubbles.



Burner output adjustment

Use the pressure regulator to adjust the oil pressure in accordance with the burner output desired. Monitor the combustion values continuously as you do so (CO, CO₂, soot test). Adjust the airflow gradually if necessary.

- 1 suction intake connection.
- 2 return connection.
- 3 pressure connection.
- 4 oil pressure gauge connection.
- 5 negative pressure gauge connection.
- 6 oil pressure regulator.
- 10 Solenoid valve electrical connection.
- Y1 fuel-oil solenoid valve.

Optimising combustion values

If the combustion values are not satisfactory modify the position of the combustion head. By doing this the burner ignition conditions and the combustion values change. Compensate for the change in airflow if necessary by adjusting the air flap position.

Note: observe the minimum required flue gas temperature specified by the boiler manufacturer and the requirements demanded of flue gas

ducts for avoiding condensation.

Oil pressure regulation

The oil pressure, and therefore burner output, is adjusted using oil pressure regulator 5 in the pump.

Turn to

- right: to increase pressure
- left: to reduce pressure

Connect a pressure gauge at point 3 (with R1/8" thread).

Checking negative pressure

The vacuum meter for checking negative pressure must be connected to point 4, R1/8". Maximum permissible negative pressure is 0.4 bar. At higher negative pressures, the fuel oil gasifies, which causes scraping noises in the pump and ultimately leads to pump damage.

Cleaning the pump filter

The filter is located under the pump cover (SUNTEC). To be able to clean the filter, it is necessary to loosen the screws and remove the cover first (SUNTEC).

- Check the pump cover seal and replace the gasket if necessary.

Operating check

Flame monitoring must be checked for safety as part of initial commissioning and also after servicing or if the system has been out of operation for any significant period of time.

- Starting attempt with flame monitor unlit:

the automatic combustion control unit must switch to malfunction at the end of the safety time

- Start with flame monitor lit: the automatic combustion control unit must switch to malfunction after 10 seconds of prevention

- Normal start-up: flame monitor goes out when burner in operation; the automatic combustion control unit must switch to malfunction after the restart and end of the safety time

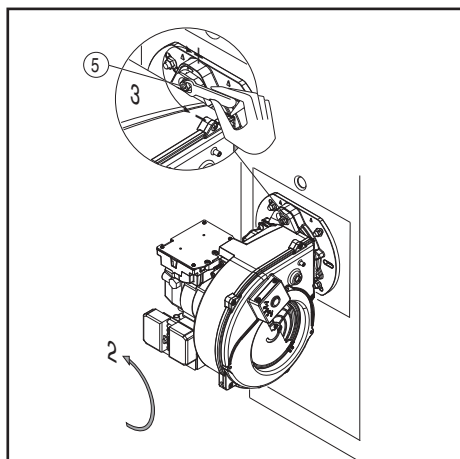
Recording commissioning data		
Test		
Date		
Model		
Type oil		
Oil calorific value		
Burner output	min	kW
Burner output	max	kW
Flue gas temperature		C°
Air temperature		C°
CO ₂		%
CO		ppm
NOx		ppm
Performance		%
Corrective action		
Operator name		
Company		

Service - Maintenance

Burner and boiler servicing must only be carried out by qualified personell. The system operator is advised to take out a service contract to guarantee regular servicing.

Attention

- Disconnect the electrical supply before carrying out any maintenance or cleaning work.
- The blast tube and firing head may be hot.



Checking the exhaust gas temperature

- Check the flue gas temperature at regular intervals.
- Clean the boiler if the flue gas temperature is more than 30°C above the value measured at the time of commissioning.
- To simplify the check, use a flue gas temperature indicator.

Burner maintenance positions

- After removing the screws 5 turn the burner and pull it out of the flange. It is possible to fix the burner in three positions

for maintenance.

Position 1

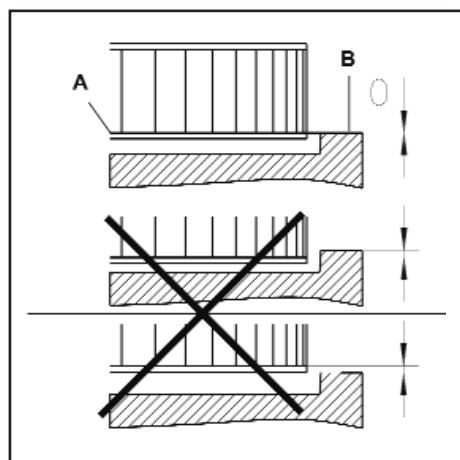
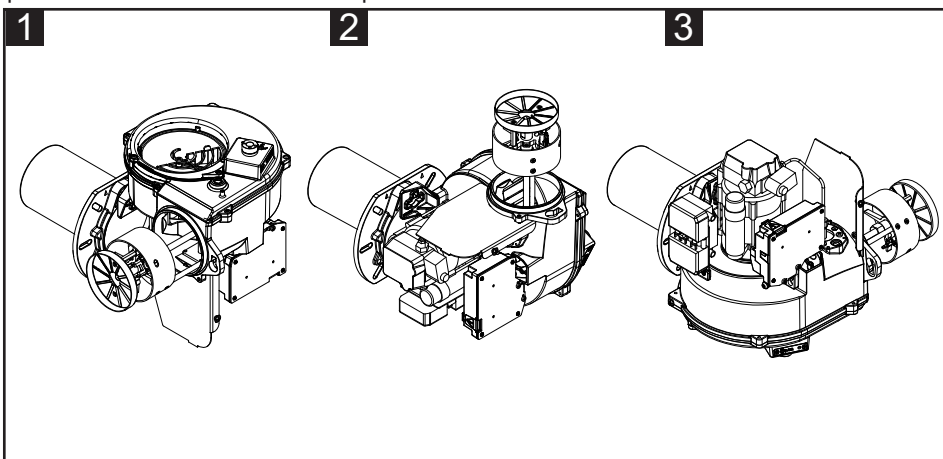
Maintenance line air (cleaning/substitution fan)

Position 2

Burner head maintenance.

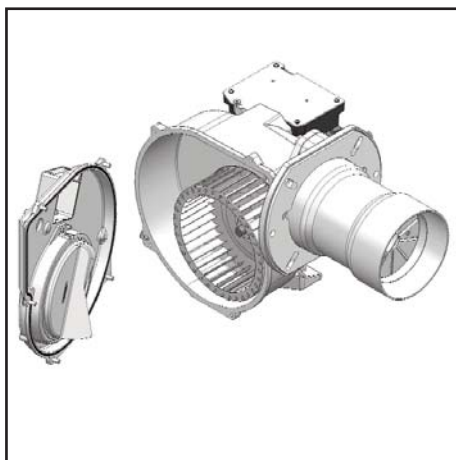
Position 3

Maintenance components (filter and light oil pump).



Fan assembly

Observe the positioning diagram below when replacing the motor and blower wheel. The inside flange **A** of the blower wheel must be fitted at the same level as the equipment plate **B**. Insert a straight edge between the wing of the blower wheel and set **A** and **B** to the same height, tighten the set screw on the blower wheel (maintenance position 1).



Maintenance on the burner

Maintenance position 1

- Clean fan and housing and check for damage.

Maintenance position 2

- Check and clean the combustion head.
- Replace oil nozzle.
- Check ignition electrodes, readjust or replace as necessary.
- Fit combustion head. Observe adjustment dimensions.
- Fit burner.

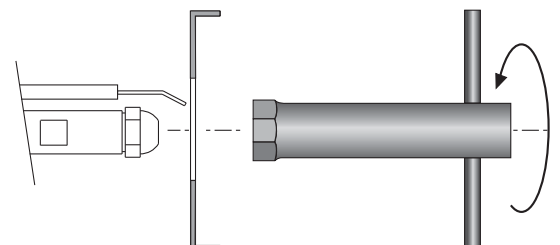
- Start burner, check flue gas data, correct burner settings if necessary.

Maintenance position 3

- Check oil supply components (tubes, pumps, oil feed tube) and their connections for leaks or signs of wear, replace if necessary.
- Check electrical connections and connection cables for damage, replace if necessary.
- Check pump filter and clean if necessary.

Nozzle and cleaning replacement

Use only the suitable box wrench provided for this operation to remove the nozzle, taking care to not damage the electrodes. Fit the new nozzle by the same care. Note: Always check the position of electrodes after having replaced the nozzle (see illustration). A wrong position could cause ignition troubles.



Service - Troubleshooting

Fault diagnosis and repair

In the event of a malfunction, first check that the prerequisites for correct operation are fulfilled:

1. is the system connected to the power supply?
2. is there oil in the tank?
3. are all shut-off valves open?
4. are all control and safety devices, such as the boiler thermostat, low-water detector, limit switch, etc. adjusted correctly?

If the malfunction persists, use the following table.

It is not permitted to repair any components relevant to safety. These

components must be replaced by parts with the same order number.




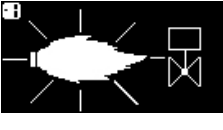


Only use original spare parts.

NB: after each operation:

- under normal operating conditions (doors closed, hood fitted, etc.), check combustion and check the individual lines for leaks.
- Record the results in the relevant documents.

E-BCU display interface must be used to read the faults by service personell.



Fault	Symbol fault	Cause	Remedy
	No heat request	Thermostats defective or incorrectly adjusted	Adjust the thermostats, replace if necessary.
	Supply voltage lower than minimum allowed value	Drop in supply voltage or power failure. Control unit malfunction	Check the cause of the fall in voltage or the power failure. Replace the control unit.
	Burner starts at switch-on for very short period and then shuts down and the red LED lights up	The control unit has been intentionally locked	Reset control unit.
	Burner starts and then shuts down after pre-ventilation	Flaring during pre-ventilation or pre-ignition	Check ignition sparks/adjust or replace electrode Check/replace fuel-oil solenoid valve
	Burner starts and then shuts down after the solenoid valves have opened	No flame signal at end of safety time	Check the oil level in the tank. Top tank up as required. Open the valves. Check the oil pressure and the operation of the pump, coupling, filter, solenoid valve. Check ignition circuit, electrode adjustment. Clean/replace electrodes. Clean/replace flame monitor.
	Flame extinguishing during operation	Flame goes out during operating phase	Replace the following items as required: Ignition electrodes/ignition cables/ignition transformer/nozzle/pump/solenoid valve/ automatic combustion control unit.

Contenuti generali - Indice - avvertenze generali

Panoramica	Dati tecnici	3
	Curve di lavoro	4
	Dimensioni d'ingombro	5
Contenuti generali	Indice	18
	Avvertenze generali	18
	Descrizione del bruciatore	19
Funzione	Funzioni generali di sicurezza	20
	Programmatore di comando e sicurezza E-BCU OIL	21
	Pompa del bruciatore	22
Installazione	Montaggio del bruciatore	23
	Connessione elettrica	24
	Controlli da eseguire prima della messa in funzione	24
	Linea di alimentazione del combustibile	25
Messa in funzione	Dati di configurazione - regolazione dell'aria	26
	Regolazione del bruciatore	27
	Regolazione pressione del gasolio	27
Assistenza	Manutenzione	28
	Possibili inconvenienti	29
Panoramica	Schemi elettrici	66
	Parti di ricambio	67-68
Contenuti generali	Dichiarazione di conformità	69

Avvertenze importanti

I bruciatori MAX sono progettati per la combustione di gasolio da riscaldamento EL. I bruciatori sono conformi, nella struttura e nel funzionamento, alla norma EN 267.

Montaggio, messa in funzione e manutenzione devono essere eseguiti esclusivamente da personale tecnico autorizzato, nel rispetto delle direttive e delle prescrizioni in vigore.

Descrizione del bruciatore

Il bruciatore MAX è monostadio, a funzionamento completamente automatico in esecuzione monoblocco. E' adatto per l'allestimento di tutti i generatori di calore conformi alla norma EN 303 e/o degli aerotermini secondo DIN 4794, DIN 30697 o EN621 nell'ambito del suo range di potenza. Per qualsiasi altro utilizzo è richiesta l'autorizzazione della Ecoflam.

Al fine di garantire un funzionamento sicuro, non inquinante ed a basso consumo energetico, è necessario rispettare le seguenti norme:

EN 226

Allacciamento di bruciatori di gasolio a nebulizzazione e bruciatori di gas ad aria soffiata su generatori di calore.

EN 60335-2

Apparecchi elettrici di sicurezza per uso domestico.

Luogo di installazione

Il bruciatore non dev'essere messo in funzione in locali in cui siano presenti vapori aggressivi (ad es. lacca per capelli, percloroetilene, tetracloruro di carbonio), notevole accumulo di polvere o forte umidità dell'aria (ad es. lavanderie).

Una adeguata ventilazione deve essere fornita nel locale dell'installazione in modo da garantire le condizioni per una buona combustione.

Si possono riscontrare scostamenti dovuti ad eventuali normative locali.

Si esclude qualsivoglia responsabilità per eventuali danni derivanti dalle seguenti cause:

- utilizzo non conforme.
- montaggio difettoso e/o riparazione a cura dell'acquirente o terzi, ivi inclusa l'applicazione di elementi di origine estranea.

Consegna e istruzioni per l'uso

Il costruttore dell'impianto di combustione è tenuto a consegnare al gestore dell'impianto, al più tardi all'atto della consegna dello stesso, le istruzioni per l'uso e la manutenzione. Queste istruzioni devono essere appese nel locale di installazione del generatore termico in modo ben visibile. Devono essere indicati l'indirizzo ed il numero telefonico del punto di assistenza più vicino.

Avvertenza per il gestore

L'impianto dev'essere controllato almeno una volta l'anno da un tecnico specializzato. Al fine di garantire un'esecuzione regolare, si suggerisce di stipulare un contratto per la manutenzione dell'impianto.

I bruciatori Ecoflam sono stati progettati e costruiti nel rispetto delle normative e direttive correnti. Tutti i bruciatori rispondono alle normative sulla sicurezza e sul risparmio energetico nel limite del campo di lavoro dichiarato. La qualità del prodotto è garantita dal sistema di certificazione in base alla norma ISO 9001:2008.

Contenuti generali - Descrizione del bruciatore

MAX 20 LN TC - D HT CV 230-50 TW

NOME

MAX Gasolio

MODELLO (Gas: kW; Gasolio: kg/h)

MAX 20 20 kg/h

EMISSIONI

MAX Low NOx Low NOx Classe 3 fiamma gialla (<120 mg/kWh)
MAX Standard Classe 2-OIL EN267 (<185 mg/kWh)

TIPO TESTA

TC Testa corta
TL Testa lunga

COMBUSTIBILE

- Gasolio/Nafta
KER Cherosene
BIODIESEL Biodiesel

VERSIONE

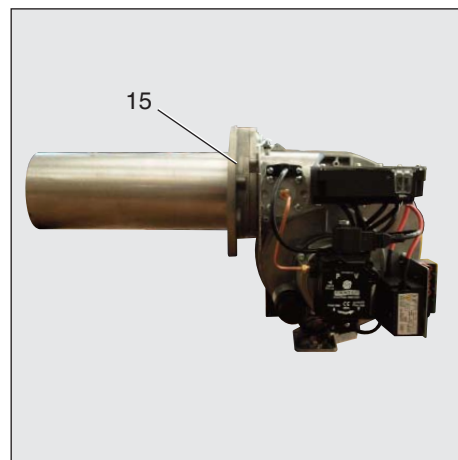
HT Alte temperature
D HT Versione pompa D, Alte temperature
CV Ventilazione continua

TENSIONE DI ALIMENTAZIONE

230-50 230 Volt, 50Hz

APPARECCHIATURA DI CONTROLLO

TW Thermowatt



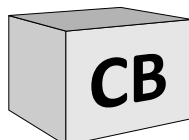
- A1 E_BCU OIL programmatore di comando e sicurezza gasolio
- M1 Motore elettrico per pompa e ventola
- T1 Trasformatore d'accensione
- Y Asta graduata
- Y1 Elettrovalvola
- 3 Regolazione dell'aria nella testa di combustione
- 5 Viti di fissaggio piastra
- 9 Presa Wieland
- 15 Flangia bruciatore
- 16 Pulsante di sblocco
- 102 Pompa gasolio
- 113 Serranda aria

Imballaggio

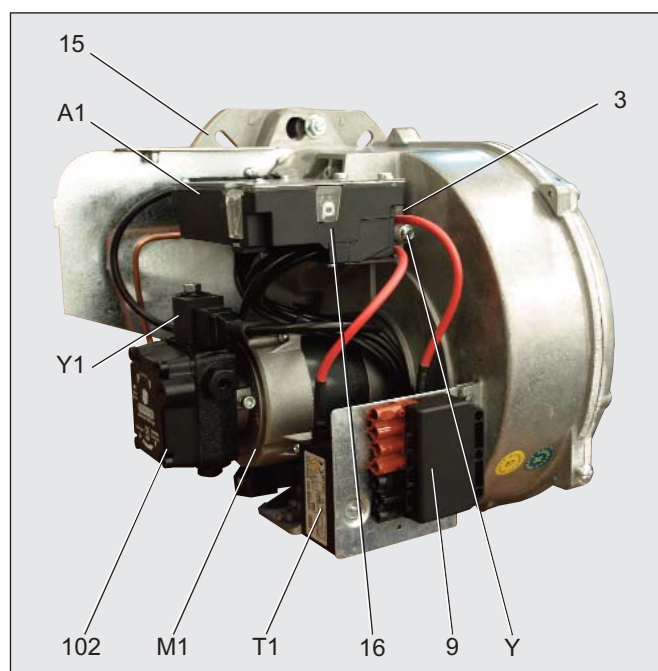
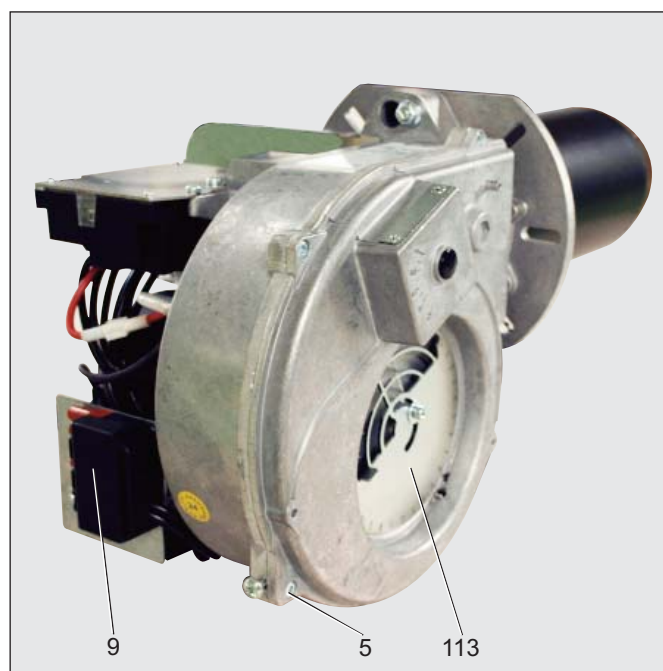
CB : BRUCIATORE COMPLETO

- 1 sacchetto

- manuale tecnico in multilingue.
- filtro e tubi flessibili.
- spina wieland.
- ugello e chiave per ugello.
- viti, dadi e rosette.



KIT & ACS ordinabili e consegnati separatamente



Funzione - Funzioni generali di sicurezza

Funzione di esercizio

- In seguito alla richiesta di calore trasmessa tramite il termostato della caldaia, il programmatore di comando (combustione) del gasolio avvia lo svolgimento del programma.
- Il motore si avvia, l'accensione si inserisce e si avvia il tempo di preventilazione di 15 sec.
- Durante la preventilazione, viene controllata la presenza della fiamma segnale sul focolare.
- Al termine della preventilazione, si aprono le elettrovalvole del gasolio e il bruciatore si avvia.
- Il funzionamento del bruciatore disinserisce l'accensione.

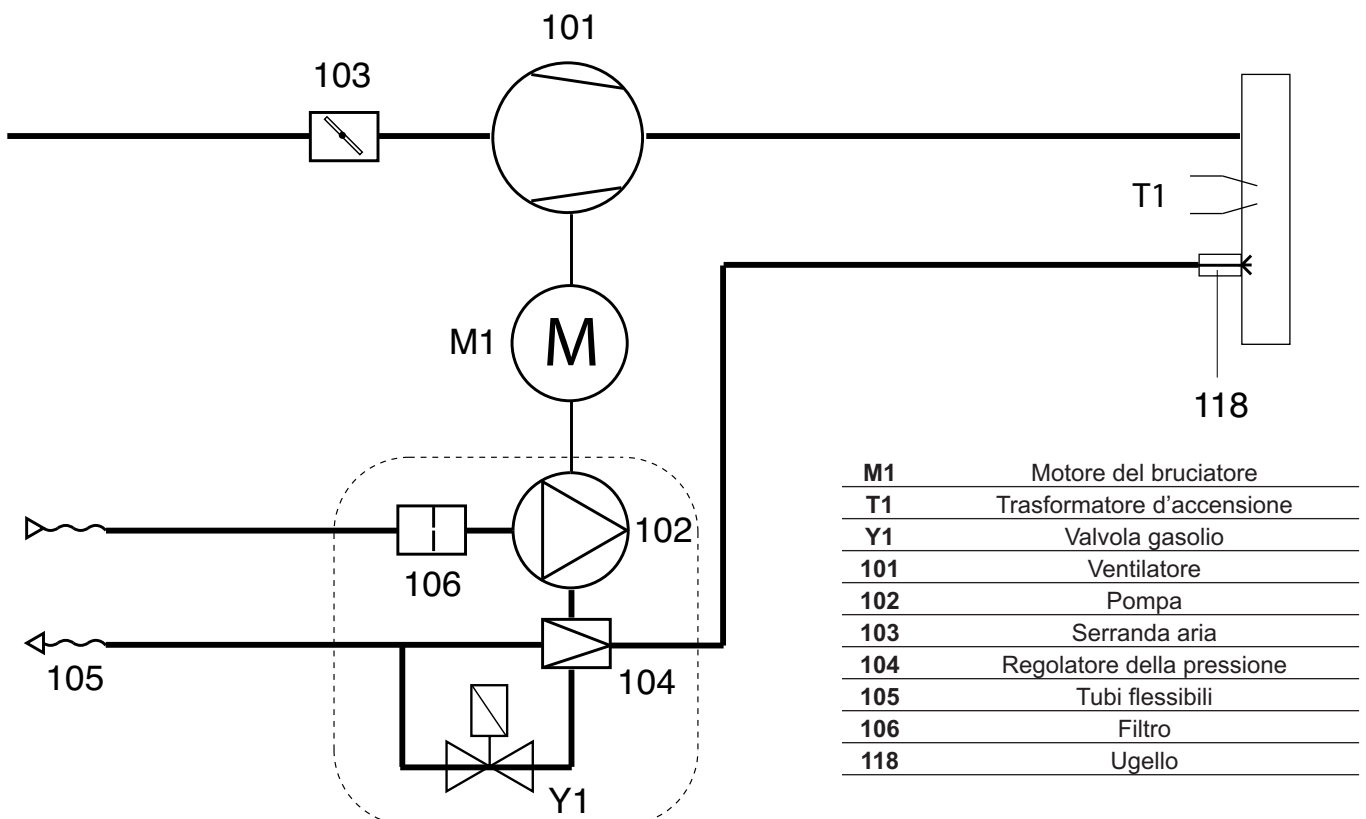
Disinserimento normale

- Il termostato della caldaia interrompe la richiesta di calore.
- L'elettrovalvola del gasolio si chiude e la fiamma si spegne.
- Il motore del bruciatore si spegne
- Il bruciatore è pronto al funzionamento.

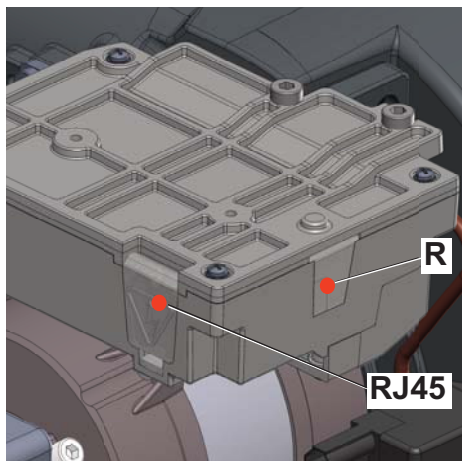
Funzione di sicurezza

Uno spegnimento a causa di possibili disturbi avviene:

- se durante la preventilazione è presente una fiamma-segnale (monitoraggio luce esterna);
 - se all'accensione (consenso al combustibile) dopo 5s (tempo di sicurezza) non si è accesa nessuna fiamma;
 - se, in caso di spegnimento della fiamma quando l'impianto è in funzione, dopo un infruttuoso tentativo di riavvio non si genera alcuna fiamma.
- Uno spegnimento in presenza di eventuali anomalie viene segnalato mediante accensione della lampadina di segnalazione guasti e può essere nuovamente resettato non appena eliminata la causa del malfunzionamento e dopo l'azionamento del pulsante di sblocco.
- Per ulteriori informazioni vedere la descrizione del programmatore di comando (combustione).



Funzione - Programmatore di comando e sicurezza E-BCU OIL



R - Pulsante di reset + led segnalazione blocco.

RJ45 - Connettore per collegamento PC (diagnostica, fornita separatamente).



Kit E-BCU
tool diagnostico
(non incluso)

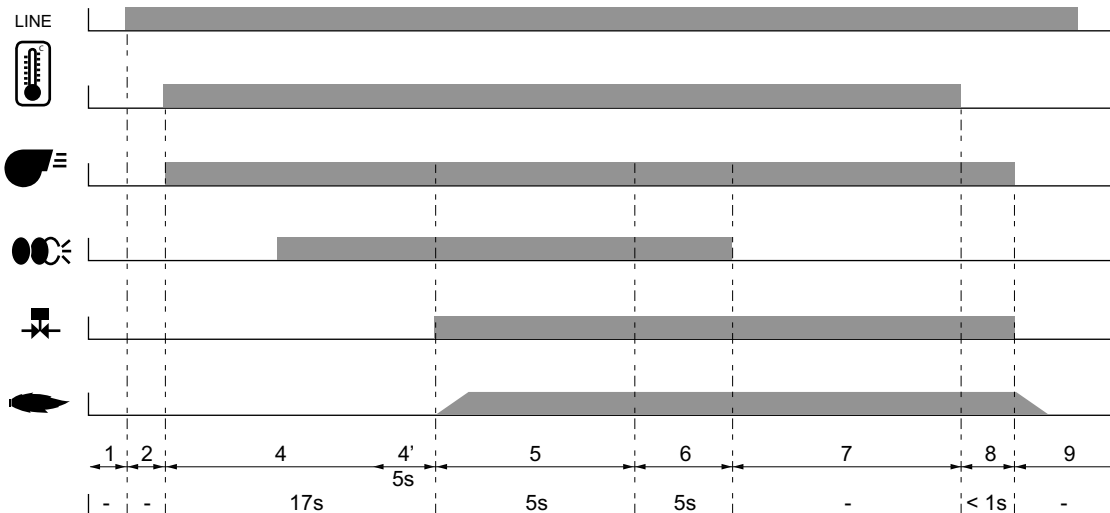
Il programmatore di comando e sicurezza gasolio E-BCU OIL comanda e sorveglia il bruciatore ad aria soata. Grazie al programma gestito dal microprocessore, si ottengono tempi estremamente stabili, indipendentemente dalle oscillazioni della tensione di rete o della temperatura ambiente. Il programmatore di comando e sicurezza è progettato per essere sicuro in caso di sottotensione. Se la tensione di rete scende al di sotto del valore minimo richiesto (170 V), il programmatore di comando si disattiva senza alcun segnale d'errore. Non appena la tensione supera i 178 V, il programmatore si riavvia automaticamente.

Blocco e sblocco

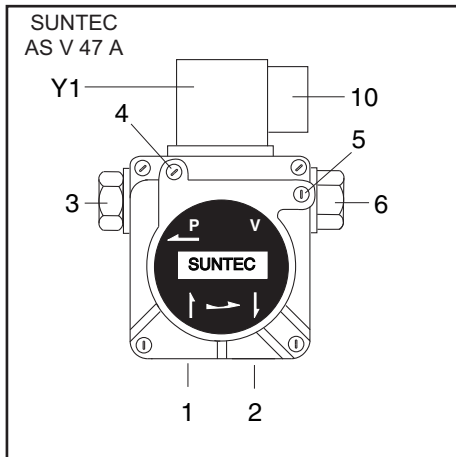
Il programmatore di comando può essere bloccato (portato in condizione di anomalia) e sbloccato (rimozione anomalia) mediante il pulsante R a condizione che nel programmatore di comando sia presente tensione di rete.

! Prima del montaggio o dello smontaggio del programmatore di comando l'apparecchio dev'essere a tensione nulla. Il programmatore di comando non dev'essere aperto nè riparato.

Simboli	Descrizione
	Aspetta una richiesta di calore
	Motore acceso
	Accensione inserita
	Fiamma presente



Funzione - Pompa del bruciatore



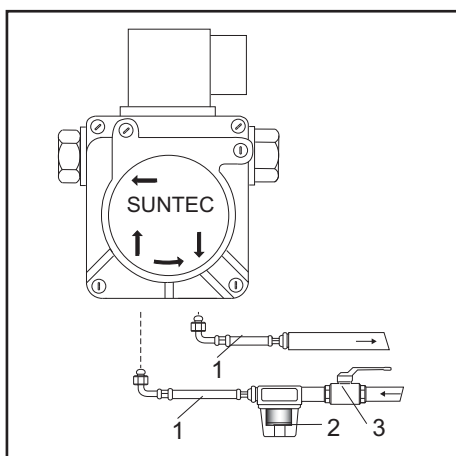
- 1 allacciamento aspirazione
- 2 allacciamento di ritorno
- 3 allacciamento pressione
- 4 allacciamento manometro olio
- 5 allacciamento manometro depressione
- 6 regolazione della pressione del gasolio
- 10 allacciamento elettrico elettrovalvola
- Y1 elettrovalvola gasolio

La pompa utilizzata nei bruciatore di gasolio è una pompa ad ingranaggi autoadescente, che deve essere collegata con sistema bitubo; nella tubazione d'aspirazione inserire il filtro.

Nella pompa sono incorporati un filtro d'aspirazione ed un regolatore di pressione del gasolio.

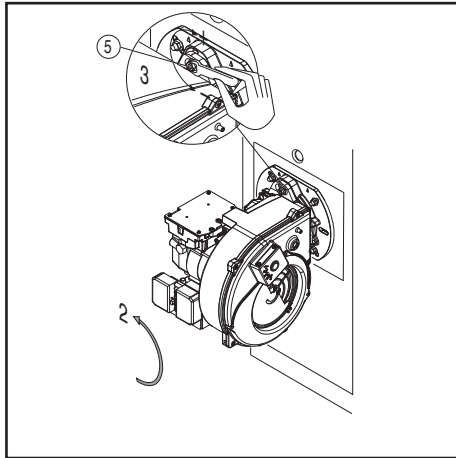
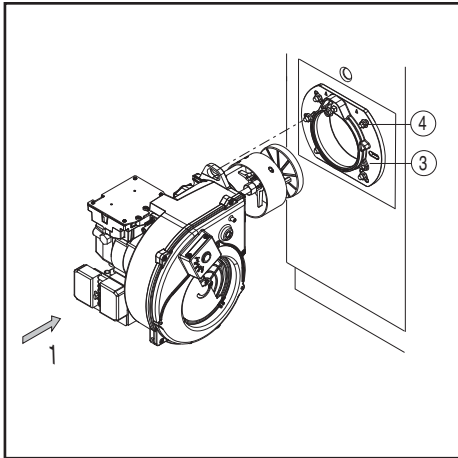
Prima della messa in funzione dell'apparecchio collegare i manometri per le misurazioni della pressione e della depressione.

NB: prima di avviare il bruciatore, controllare che il ritorno sia aperto. Un'eventuale ostruzione può causare danni alla guarnizione della pompa.



- 1 Flessibili
- 2 Filtro
- 3 Rubinetto di intercettazione

Installazione - Montaggio del bruciatore



Montaggio del bruciatore

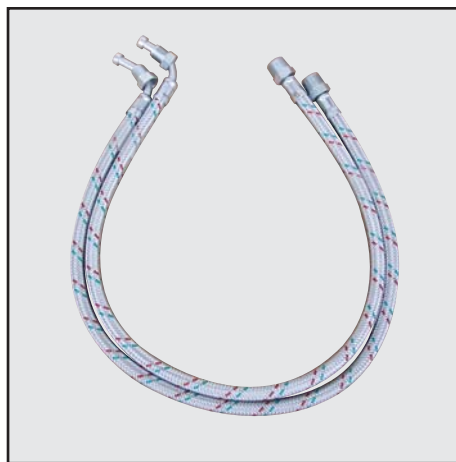
Il bruciatore viene fissato alla flangia di attacco e di conseguenza alla caldaia, in tal modo la camera di combustione viene chiusa a tenuta stagna.

Montaggio:

- Fissare la flangia di attacco 3 alla caldaia con le viti 4.
- Ruotare leggermente il bruciatore, introdurlo nella angia e fissarlo con la vite 5.

Smontaggio:

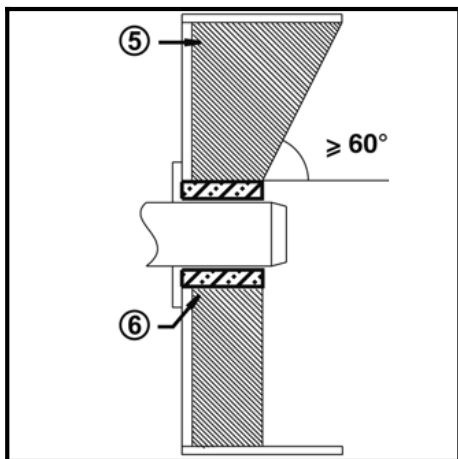
- Allentare la vite 5.
- Ruotare il bruciatore ed estrarlo dalla flangia.



Allacciamento del gasolio

Il filtro deve essere montato in modo tale che sia garantita una corretta guida del tubo flessibile.

I tubi flessibili non devono essere piegati.



Profondità di montaggio del bocaglio del bruciatore e rivestimento refrattario

Per i generatori senza parete anteriore raffreddata e in assenza di indicazioni contrarie da parte del costruttore della caldaia, è necessario eseguire un rivestimento in mattoni o l'isolamento secondo la figura (5) a lato.

Il rivestimento in mattoni non deve sporgere oltre il bordo anteriore del bocaglio e deve terminare con una conicità massima di 60°. Lo spazio d'aria (6) dev'essere riempito con un materiale isolante elastico, non infiammabile.

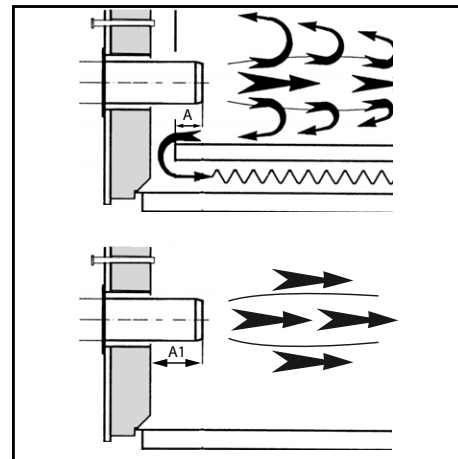
Per le caldaie deve essere rispettata la profondità di penetrazione del bocaglio, in conformità con le indicazioni fornite dal costruttore della caldaia stessa.

Caldaie ad inversione di fiamma :

A = 50-100 mm.

Caldaie a tre giri di fumo :

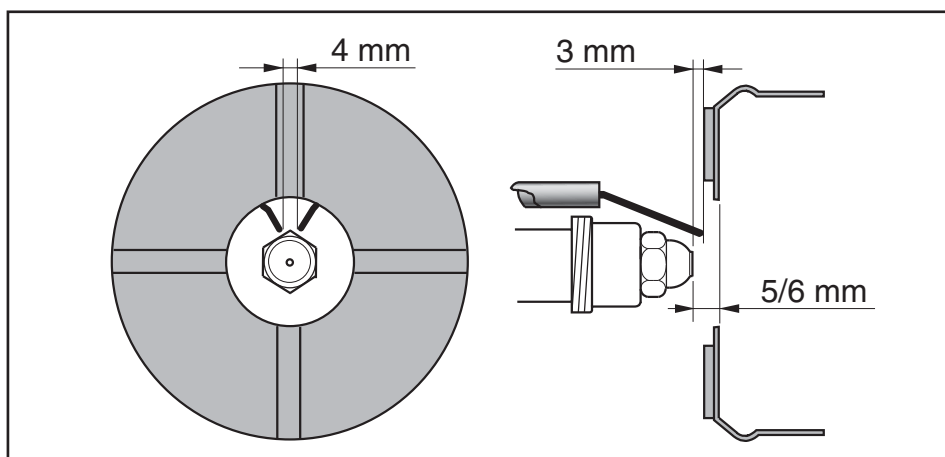
A1 = 50-100 mm.



Condotto dei fumi

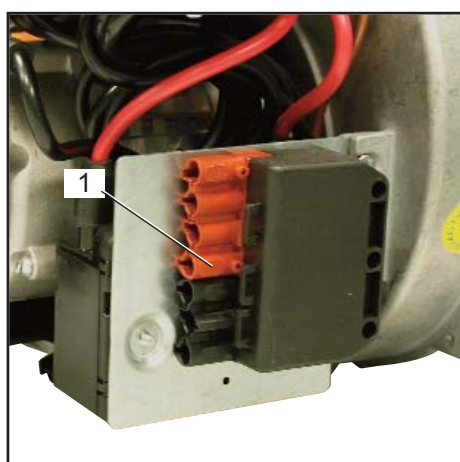
Al fine di evitare rumorosità indesiderate si raccomanda di evitare l'utilizzo di raccordi ad angolo retto al momento del collegamento della caldaia al camino.

Installazione - Connessione elettrica - Controlli da eseguire prima della messa in funzione



Posizione elettrodi

NB: verificare sempre la posizione degli elettrodi dopo il montaggio dell'ugello (vedi figura). Una posizione errata può comportare problemi di accensione.



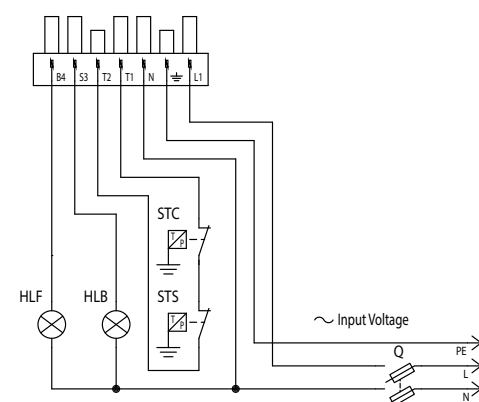
Allacciamento elettrico

L'impianto elettrico e i lavori di allacciamento devono essere eseguiti esclusivamente da personale specializzato autorizzato.

A tal proposito devono essere rispettate le normative e le direttive vigenti. L'impianto d'alimentazione dovrà essere dotato di un interruttore differenziale di tipo A.

Rispettare obbligatoriamente le prescrizioni e le direttive in vigore, oltre allo schema elettrico fornito con il bruciatore!

- Verificare che la tensione di rete corrisponda alla tensione d'esercizio indicata di 230 V, 50/60 Hz corrente monofase con neutro e messa a terra.
- Fusibile sulla caldaia: 5 A



Allacciamento elettrico (plug-in)

Il bruciatore deve poter essere scollegato dalla rete mediante uno dei corrispondenti dispositivi di interruzione onnipolari conformi alle norme vigenti. Bruciatori e generatori termici (caldaie) vengono collegati tra di loro mediante una connessione a spina Wieland a sette poli (fig.1).

Controlli da eseguire prima della messa in funzione

Prima della messa in funzione devono essere controllati i seguenti punti.

- Montaggio del bruciatore secondo le presenti istruzioni.
- Preimpostazione del bruciatore secondo le indicazioni riportate nella tabella di regolazione.
- Controllo degli organi di combustione
- Il generatore termico dev'essere pronto per l'uso, le prescrizioni di montaggio del generatore termico devono essere rispettate.
- Tutti gli allacciamenti elettrici devono essere eseguiti correttamente.
- Il generatore termico ed il sistema di riscaldamento sono pieni d'acqua, le pompe di circolazione sono in funzione.
- Termostati, regolatore di pressione, dispositivo di sicurezza in caso di carenza d'acqua ed altri dispositivi limitatori

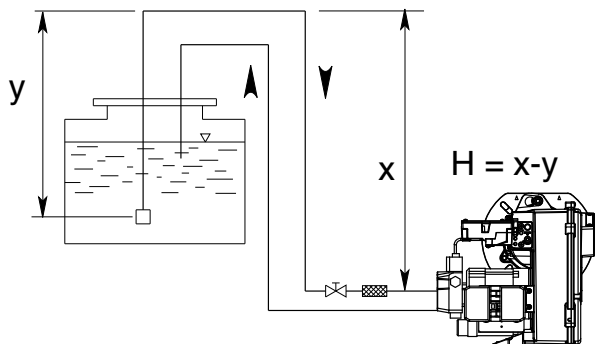
eventualmente installati sono correttamente collegati e funzionanti.

- Le vie di scarico dei fumi devono essere sgombrare, il dispositivo per l'aria secondaria, se presente, dev'essere in funzione.
- Dev'essere garantito un sufficiente apporto di aria pura.
- Dev'essere presente una richiesta di riscaldamento.
- I serbatoi del combustibile devono essere pieni.
- I condotti per il combustibile devono essere installati a regola d'arte, devono essere sottoposti ad un controllo per garantirne l'ermeticità ed essere disaerati.
- Il punto di misurazione previsto dalla norma per il controllo dei fumi di scarico dev'essere presente, il percorso dei fumi sino al punto di misurazione dev'essere a tenuta stagna in modo che i

risultati delle misurazioni non possano essere falsati.

Installazione - Linea di alimentazione del combustibile

Bruciatore inferiore al serbatoio

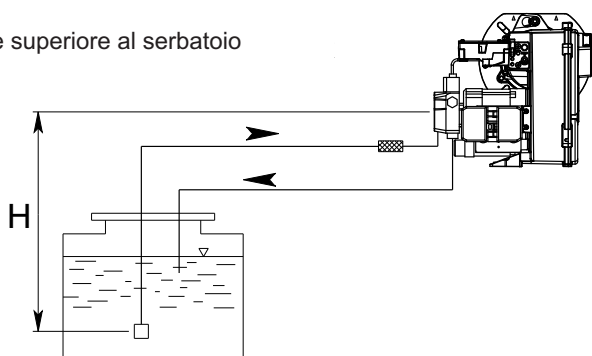


ALIMENTAZIONE COMBUSTIBILE CON SUNTEC D 57 A

H (m)	Lunghezza tubazioni (m)		
	ø 8 mm	ø 10 mm	ø 12 mm
0	37	95	150
0,5	42	107	150
1	47	118	150
2	65	150	150
3	65	150	150
4	74	150	150

N.B. = $X < 20$ m

Bruciatore superiore al serbatoio



H (m)	Lunghezza tubazioni (m)		
	ø 8 mm	ø 10 mm	ø 12 mm
0	37	95	150
0,5	33	84	150
1	28	73	150
2	19	50	107
3	10	27	60
4	0	5	13

Y deve essere mantenuto il più basso possibile, per evitare la cavitazione. In ogni caso $Y < 4$ m.

Correzione d'altitudine	
Pompa in aspirazione (H +) o in carico (H -)	
Altitudine (m)	H fittizia (m)
0-500	0
501-800	0,5
801-1300	1,0
1301-1800	1,5
1801-2200	2,0

ex: altitudine 1100m H fittizia = 1m , H reale = 2m , H corretta in aspirazione 2 + 1 = 3 m , H corretta in carico 2 - 1 = 1 m.
Scegliere nella tabella il Ø della tubatura in funzione della lunghezza sviluppata tra il serbatoio e la pompa. Se H corretta in aspirazione supera 4 m; prevedere una pompa di trasferimento. (pressione max 2 bar).

! Le lunghezze dei tubi valgono per bruciatori alimentati da rete elettrica a 50 Hz; nel caso di alimentazione a 60 Hz, dividere le lunghezze lette per 1.5.

Messa in funzione - Dati di configurazione - Regolazione dell'aria

	UGELLO		POMPA	PORTATA	REGOLAZIONE TESTA	REGOLAZIONE ARIA
	gph	spry	bar	kg/h	Pos.	Pos.
MAX 20 HT	3,50	60°	12		2,5	4,5
MAX 30 HT						

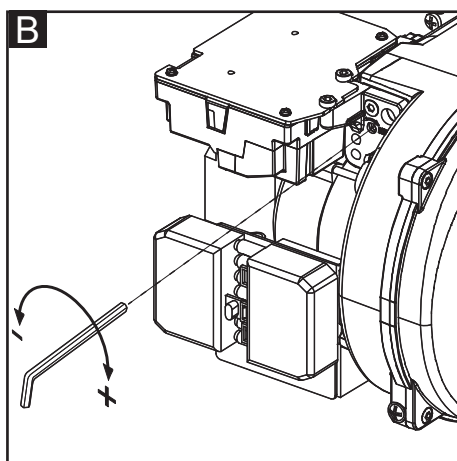
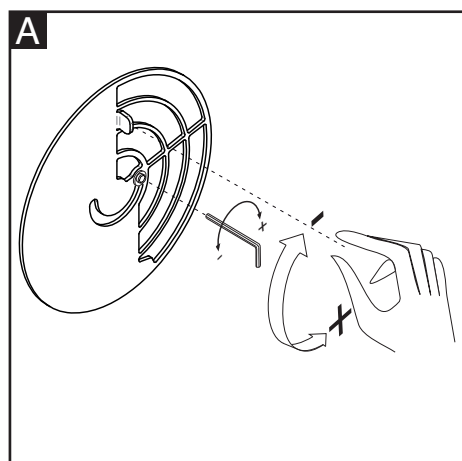
Le regolazioni indicate sopra sono **regolazioni base**. Con queste impostazioni, normalmente, il bruciatore può essere messo in funzione. La regolazione deve poi essere verificata utilizzando un analizzatore di

combustione. Potrebbero rivelarsi necessarie correzioni subordinate al singolo impianto. Valori di combustione favorevoli si possono ottenere mediante l'uso degli ugelli seguenti:

DANFOSS H+S 80°+60°

DELAN W 60°

STEINEN S 60°



Regolazione dell'aria (A).

Svitare la vite con una chiave esagonale:

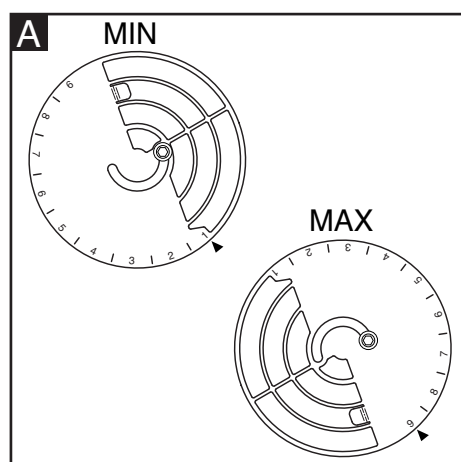
- ruotando la serranda in senso orario, la portata diminuisce.
- ruotando la serranda in senso antiorario, la portata aumenta.

Raggiunto il valore desiderato fissare la vite.

Regolazione della testa di combustione (B).

Agire sulla vite in figura:

- ruotare con una chiave esagonale fino a raggiungere il valore desiderato (indice da 0 a 5).



! Pericolo di deflagrazione: durante le operazioni di regolazione, verificare costantemente le emissioni di CO, CO₂ e l'indice di fumosità. In presenza di formazioni di CO modificare i valori della combustione. Il valore massimo di CO non deve superare i 50ppm.

Messa in funzione - Regolazione del bruciatore - Regolazione pressione del gasolio

Avviamento del bruciatore

Prima dell'avviamento del bruciatore, caricare le tubazioni fino al riempimento del filtro gasolio.

Avviare quindi il bruciatore agendo sul termostato della caldaia. Per eliminare completamente l'aria dalla tubazione del gasolio, svitare la vite di spurgo nel filtro del gasolio durante la fase di preventilazione. Nel corso di questa operazione non è consentito superare una depressione di 0,4 bar. Quando fuoriesce gasolio senza bolle ed il filtro

è completamente pieno di gasolio, chiudere nuovamente la vite di spurgo.

Regolazione della potenza del bruciatore

Regolare la pressione del gasolio in modo che il bruciatore eroghi la potenza desiderata, agendo sul regolatore di pressione. Controllare sempre i valori della combustione (CO, CO₂, indice di fumosità). Se necessario, modificare la portata d'aria, procedendo eventualmente in modo progressivo.

le indicazioni del costruttore della caldaia e secondo i requisiti del sistema di scarico fumi, al fine di evitare la formazione di condensa.

Regolazione pressione del gasolio

Per regolare la pressione del gasolio (e quindi la potenza del bruciatore) agire sul regolatore di pressione **5** nella pompa. Ruotare verso:

- destra: aumento della pressione;
 - sinistra: riduzione della pressione.
- Per il controllo è necessario collegare un manometro all'allacciamento, manometro **3**, filettatura R1/8"

Controllo depressione

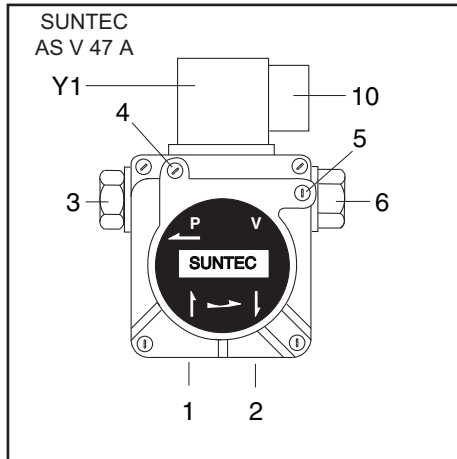
Il vacuometro per il controllo della depressione dev'essere collegato al raccordo **4**, R1/8".

Depressione massima consentita 0,4 bar. Con depressione superiore, il gasolio da riscaldamento gasifica provocando un rumore stridulo e il danneggiamento della pompa.

Pulizia del filtro della pompa

Il filtro si trova sotto il coperchio della pompa (SUNTEC). Per pulirlo è necessario allentare le viti del coperchio e smontarlo (SUNTEC).

- Controllare la tenuta del coperchio della pompa ed eventualmente sostituire la guarnizione.



- 1 allacciamento aspirazione
- 2 allacciamento di ritorno
- 3 allacciamento manometro olio
- 4 allacciamento manometro depressione
- 5 allacciamento manometro depressione
- 6 regolazione della pressione del gasolio
- 10 allacciamento elettrico elettrovalvola Y1 elettrovalvola gasolio

Ottimizzazione dei valori della combustione

In caso di valori di combustione non soddisfacenti modificare la posizione della testa di combustione. In questo modo vengono modificati il comportamento di avviamento e i valori della combustione. Se necessario, compensare la variazione della portata d'aria mediante la regolazione della serranda dell'aria.

Attenzione: in caso di installazione su caldaia, rispettare la temperatura minima dei fumi di scarico secondo

Controllo funzionamento

Un controllo di sicurezza del monitoraggio fiamma dev'essere eseguito sia in occasione della prima messa in funzione, sia dopo aver

eseguito revisioni o dopo un lungo periodo di inattività dell'impianto.

- Tentativo di avviamento con rivelatore di fiamma oscurato: al termine del tempo di sicurezza il programmatore

di comando deve spostarsi su anomalia.

- Avviamento con rivelatore di fiamma illuminato: dopo 10 secondi di preaerazione il programmatore di comando deve spostarsi su anomalia.
- Avviamento normale: quando il bruciatore è in funzione, oscurare il rivelatore di fiamma: dopo un nuovo avviamento ed al termine del tempo di sicurezza il programmatore di comando deve spostarsi su anomalia.



Registrazione dati di messa in funzione

Test	n°1	n°2
Data		
Modello		
Tipo olio		
Valore calorifico olio		
Potenza bruciatore	min	kW
Potenza bruciatore	max	kW
Temperatura fumi		C°
Temperatura aria		C°
CO ₂		%
CO		ppm
NOx		ppm
Rendimento		%
Azione correttiva		
Nome operatore		
Azienda		

Assistenza - Manutenzione

Gli interventi di assistenza sulla caldaia e sul bruciatore devono essere eseguiti esclusivamente da personale tecnico addestrato nel campo del riscaldamento. Al fine di garantire una regolare esecuzione degli interventi di assistenza, si consiglia al gestore dell'impianto di stipulare un contratto di assistenza.

Attenzione

- Prima degli interventi di manutenzione e

pulizia, disinserire la corrente.

- Il boccaglio ed i componenti della testa possono essere caldi.

Controllo della temperatura dei fumi di scarico

- Controllare regolarmente la temperatura dei fumi di scarico.
- Pulire la caldaia se la temperatura dei fumi di scarico supera il valore della messa in funzione di oltre 30°C.
- Al fine di semplificare il controllo,

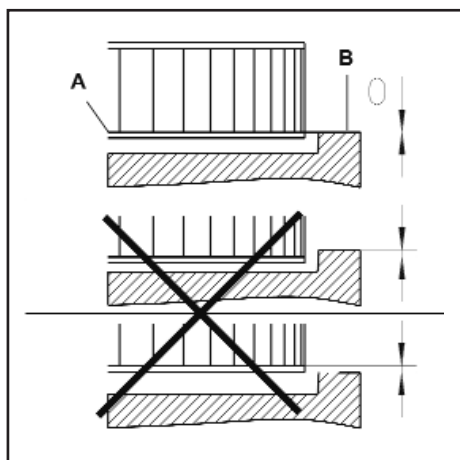
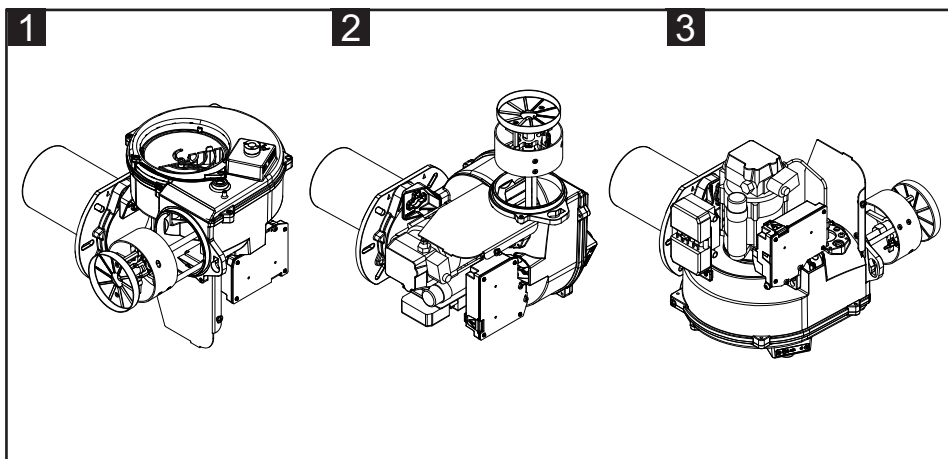
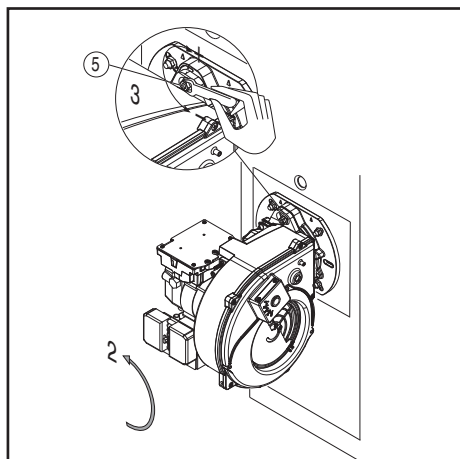
installare un display per la visualizzazione della temperatura dei fumi di scarico.

Posizioni di manutenzione del bruciatore

- Dopo aver allentato la vite 5 e sganciato il bruciatore, è possibile fissarlo in tre posizioni di manutenzione.

Posizione 1

Manutenzione linea aria (pulizia/sostituzione ventola)

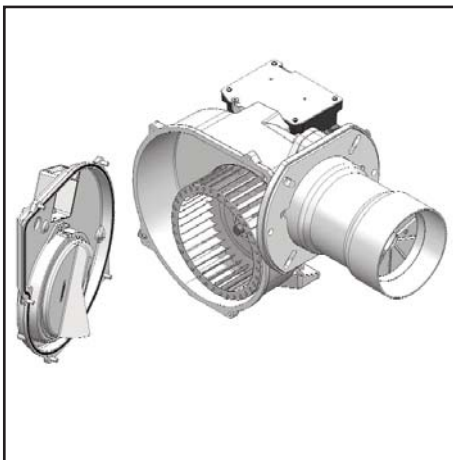


Montaggio della ventola

In caso di sostituzione della ventola o del motore, fare riferimento allo schema di posizionamento.

Allineare la flangia interna A della ventola con la piastra B.

Inserire un righello tra le pale della ventola e portare A e B alla stessa altezza, serrare la vite senza testa con intaglio sulla ventola (posizione di manutenzione 1).



Pulizia e sostituzione dell'ugello

Utilizzare solo l'apposita chiave fornita in dotazione per rimuovere l'ugello, facendo attenzione a non danneggiare gli elettrodi. Montare il nuovo ugello con la medesima cura.

NB: verificare sempre la posizione degli elettrodi dopo il montaggio dell'ugello (vedi figura). Una posizione errata può comportare problemi di accensione.

Posizione 2

Per sostituzione dell'ugello e sostituzione/regolazione elettrodi.

Posizione 3

Per sostituzione della pompa gasolio e filtro.

Interventi di manutenzione sul bruciatore

Posizione di manutenzione 1

- Pulire ventola a carter e controllare che non presentino danni.

Posizione di manutenzione 2

- Controllare e pulire i dispositivi di miscelazione.

- Sostituire l'ugello del gasolio.

- Controllare gli elettrodi di accensione ed eventualmente regolarli o sostituirli.

- Montare il dispositivo di miscelazione. Rispettare i dati di taratura.

- Montare il bruciatore.

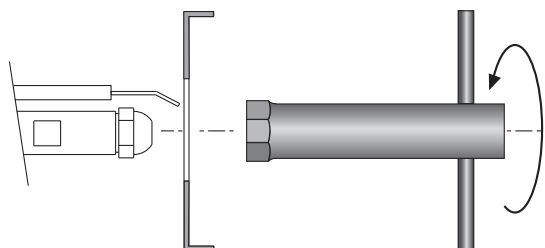
- Avviare il bruciatore, controllare i dati dei fumi di scarico ed eventualmente correggere le regolazioni del bruciatore.

Posizione di manutenzione 3

- Verificare la tenuta e lo stato di usura di tutti i componenti di alimentazione del gasolio (flessibili, pompa, tubetto pompa) e dei relativi raccordi ed eventualmente sostituirli.

- Controllare la presenza di danni su connessioni elettriche e cavi di raccordo ed eventualmente sostituirli.

- Controllare ed eventualmente pulire il filtro della pompa.



Assistenza - Possibili inconvenienti

Cause ed eliminazione delle anomalie

In presenza di anomalie, devono essere controllati i presupposti fondamentali per il corretto funzionamento dell'impianto:

1. C'è corrente?
2. C'è gasolio nel serbatoio?
3. I rubinetti di arresto sono tutti aperti?
4. Tutti gli apparecchi di regolazione e sicurezza come il termostato caldaia, il dispositivo di sicurezza in caso di carenza d'acqua, il finecorsa, ecc., sono impostati?

Nel caso in cui, dopo il controllo dei punti suddetti, l'anomalia persistesse, usare le seguente tabella.

I componenti di sicurezza non devono essere riparati, bensì devono essere

sostituiti con componenti riportanti lo stesso codice articolo.




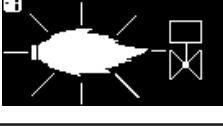
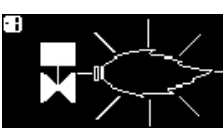

Utilizzare esclusivamente pezzi originali del costruttore.

NB: Dopo ogni intervento controllare:

- i valori di combustione in condizioni di esercizio (porta del locale caldaia chiusa, copertura montata, ecc.).
- registrare i valori di combustione nel libretto di centrale.

E-BCU display: l'interfaccia deve essere usato dal personale che effettua il service per poter leggere le anomalie del bruciatore.



Simbolo	Anomalia	Causa	Rimedio
	Nessuna richiesta di calore	Termostato mal regolato o difettoso	Regolare o sostituire i termostati
	Tensione di alimentazione inferiore al limite minimo di funzionamento.	Caduta o assenza della tensione d'alimentazione. Anomalia del programmatore di comando	Verificare l'origine della riduzione o dell'interruzione di tensione. Sostituire il programmatore di comando.
	All'accensione il bruciatore si accende brevemente e poi si spegne, accensione della spia di blocco	Il programmatore di comando è stato intenzionalmente bloccato	Sbloccare nuovamente il programmatore di comando.
	Il bruciatore si accende e si spegne dopo la preventilazione	Luce parassita durante la preventilazione o la preaccensione	Controllare le scintille di accensione/ regolare/sostituire gli elettrodi controllare/sostituire l'elettrovalvola gasolio
	Il bruciatore si accende e si spegne dopo l'apertura dell'elettrovalvola	Mancanza di fiamma al termine del tempo di sicurezza	Controllare il livello di gasolio nel serbatoio. Se necessario, riempire il serbatoio. Aprire le valvole. Controllare la pressione dell'olio ed il funzionamento della pompa, il giunto, il filtro e la valvola elettromagnetica. Controllare circuito di accensione e regolazione degli elettrodi. Pulire/sostituire gli i elettrodi.
	Spegnimento della fiamma con impianto in funzione	La fiamma si spegne quando l'impianto è in funzione	Pulire/sostituire il rivelatore di fiamma. Qualora necessario, sostituire i seguenti componenti: elettrodi di accensione/cavo di accensione/trasformatore di accensione/ugello/pompa/elettrovalvola/programmatore di comando di sicurezza.

Contenus généraux - Sommaire - Notices générales

Vue d'ensemble	Données techniques	3
	Domaine de fonctionnement	4
	Dimensions	5
Contenus généraux	Sommaire	30
	Notices générales	30
	Description du brûleur	31
Fonction	Fonctions générales de sécurité	32
	Coffret de commande et de sécurité	33
	Pompe du brûleur	34
Installation	Montage du brûleur	35
	Raccordement électrique	36
	Contrôles avant la mise en service	36
	Ligne d'alimentation en combustible	37
Mise en service	Données de configuration - Réglage de l'air	38
	Réglage du brûleur	39
	Réglage de la pression fuel	39
Maintenance	Entretien	40
	Problèmes possibles	41
Vue d'ensemble	Schémas électrique	66
	Pièces de rechange	67-68
Contenus généraux	Déclaration de conformité	69

Mise en garde

Les brûleurs MAX sont conçus pour la combustion de fuel de chauffage EL. Les brûleurs sont conformes, dans la structure et dans le fonctionnement, à la règle EN 267.

Le montage, la mise en route et l'entretien ne peuvent être exécutés que par des spécialistes autorisés, dans le respect des directives et prescriptions en vigueur.

Description du brûleur

Le brûleur MAX est monostade, à fonctionnement complètement automatique en exécution monobloque. Ils conviennent pour l'équipement de tous les générateurs de chaleur conformes à la norme EN 303, ou de générateurs-pulseurs d'air chaud selon la norme DIN 4794, DIN 30697 ou EN621 dans leur plage de puissances. Toute autre utilisation doit faire l'objet d'une demande d'autorisation auprès d'Ecoflam.

Pour un fonctionnement en toute sécurité, respectueux de l'environnement et économe en énergie, il faut prendre en considération les normes suivantes:

EN 226

Raccordement de brûleurs fuel à nébulisation et brûleurs gaz à air soufflé à un générateur de chaleur.

EN 60335-2

Appareils électriques de sécurité pour usage domestique.

Lieu d'installation

Le brûleur ne doit pas être mis en service dans des locaux exposés à des vapeurs agressives (p. ex. laque pour cheveux, tétrachloréthylène, tétrachlorure de carbone), poussières importantes ou humidité de l'air élevée (p. ex. dans des buanderies).

Le local d'installation doit être correctement aéré de manière à garantir les conditions pour une bonne combustion. Les dispositions locales peuvent contenir des prescriptions différentes.

Les dommages résultant des causes suivantes ne pourront pas être couverts par la garantie:

- utilisation inappropriée.
- installation et/ou remise en état erronées par l'acheteur ou par un tiers, y compris la mise en place de pièces d'autres origines.

Remise de l'installation et conseils d'utilisation

L'artisan qui réalise l'installation doit donner à l'utilisateur, au plus tard au moment de la réception de l'installation, les notices d'utilisation et d'entretien. Elles doivent être conservées bien visibles dans la chaufferie. L'adresse et le numéro d'appel de la station-service la plus proche doivent y être inscrits.

Conseils à l'utilisateur

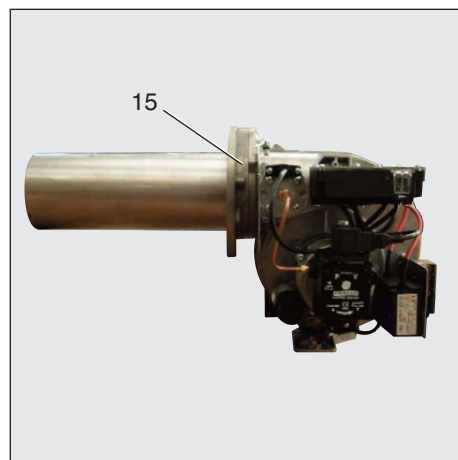
L'installation doit être vérifiée au moins une fois par an par un spécialiste. Pour en garantir l'exécution régulière, la conclusion d'un contrat d'entretien est fortement conseillée.

Les brûleurs Ecoflam ont été conçus et construits dans le respect des réglementations et des directives actuelles. Tous les brûleurs sont conformes aux réglementations relatives à la sécurité et aux économies d'énergie dans la limite du domaine d'utilisation déclaré. La qualité du produit est garantie par le système de certification conformément à la norme ISO 9001:2008.

Contenus généraux - Description du brûleur

MAX 20 LN TC - D HT CV 230-50 TW

NOM	
MAX	Fioul domestique
MODÈLE (Gaz: kW; fioul domestique: kg/h)	
MAX 20	20 kg/h
ÉMISSIONS	
MAX Low NOx	Bas-NOx Classe 3 flamme jaune (<120 mg/kWh)
MAX	Standard Classe 2-OIL EN267 (<185 mg/kWh)
TYPE TETE	
TC	Tête courte
TL	Tête longue
COMBUSTIBLE	
-	fioul domestique/ fuel lourd
KER	Kérosène
BIODIESEL	Biodiesel
CONFIGURATION SUR DEMANDE	
HT	Version haute température
D HT	Version pompe D, Version haute température
CV	Ventilation continue
TENSION D'ALIMENTATION	
230-50	230 Volt, 50Hz
COFFRET DE COMMANDE	
TW	Thermowatt



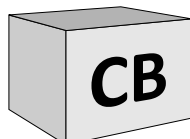
- A1 E_BCU OIL Coffret de commande et de sécurité fioul domestique
- M1 Moteur électrique pour la pompe et ventilateur
- T1 Transformateur d'allumage
- Y Tige graduée
- Y1 Electrovanne
- 3 Régulation de l'air dans la tête de combustion
- 5 Vis de fixation palque
- 9 Fiche femelle Wieland
- 15 Bride du brûleur
- 16 Bouton de déblocage
- 102 Pompe fuel
- 113 Volet d'air

Emballage

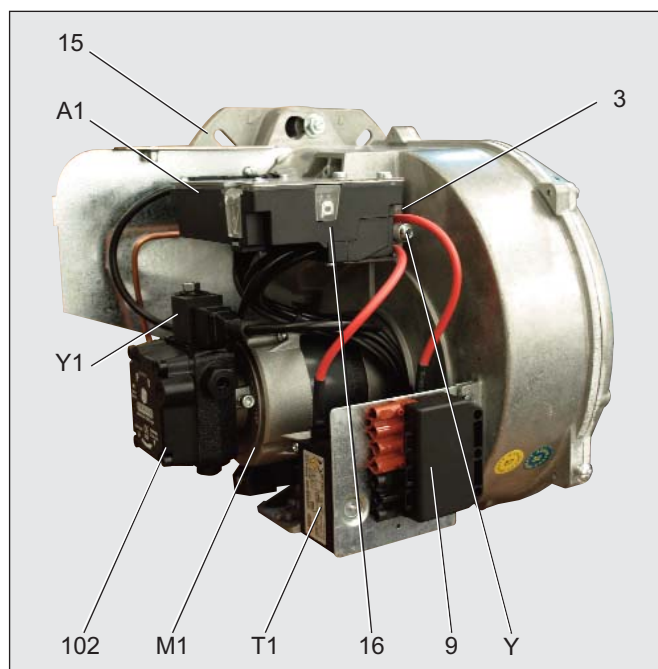
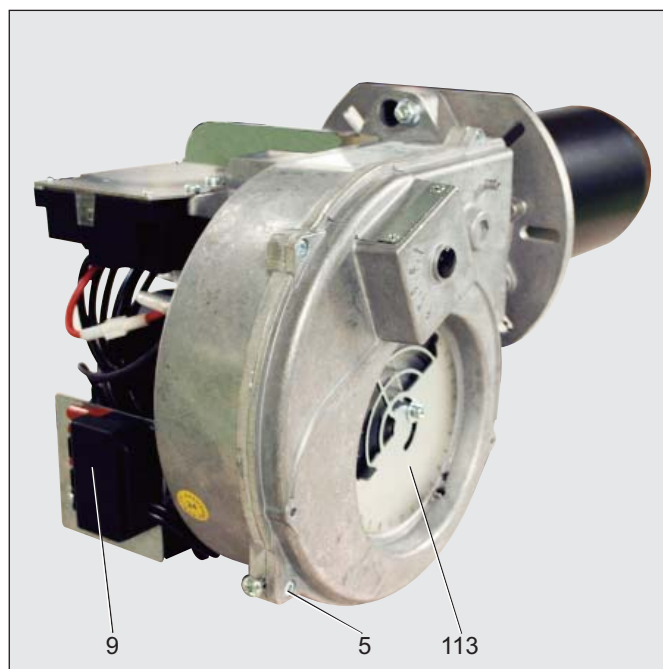
CB : BRÛLEUR JE COMPLÈTE

- 1 sachet

- manuel technicien dans multilangue
- filtre et flexibles.
- fiche male wieland.
- gicleur et clé pour gicleur.
- vis, écrous et rondelles.



KIT & ACS commandés et livrés séparément



Fonction - Fonctions générales de sécurité

Fonctionnement

- Après la demande de chaleur par le régulateur de la chaudière, le coffret de commande (combustion) du fuel fait démarrer le déroulement du programme.
- Le moteur démarre, l'allumeur est activé et le temps de pré ventilation (15 s) débute.
- Pendant la préventilation, le foyer est surveillé pour détecter une éventuelle présence de flamme.
- A l'issue de la préventilation, l'électrovanne fuel s'ouvrent et le brûleur démarre.
- Pendant le fonctionnement, le circuit d'allumage est coupé.

- signal de flamme est détecté (monitorage lumière extérieure);
- lorsque, au moment du démarrage (autorisation d'admission du combustible), aucune flamme ne s'est formée au bout de 5 secondes (temps de sécurité);
- si, en cas d'extinction accidentelle pendant le fonctionnement et après une tentative de réallumage, aucune flamme n'apparaît.

Une mise en sécurité est signalée par le témoin de défaut. Le déverrouillage du brûleur se fait, après élimination de la cause du défaut, par pression sur le bouton de déverrouillage.

Pour de plus amples informations, se référer à la description du coffret de sécurité.

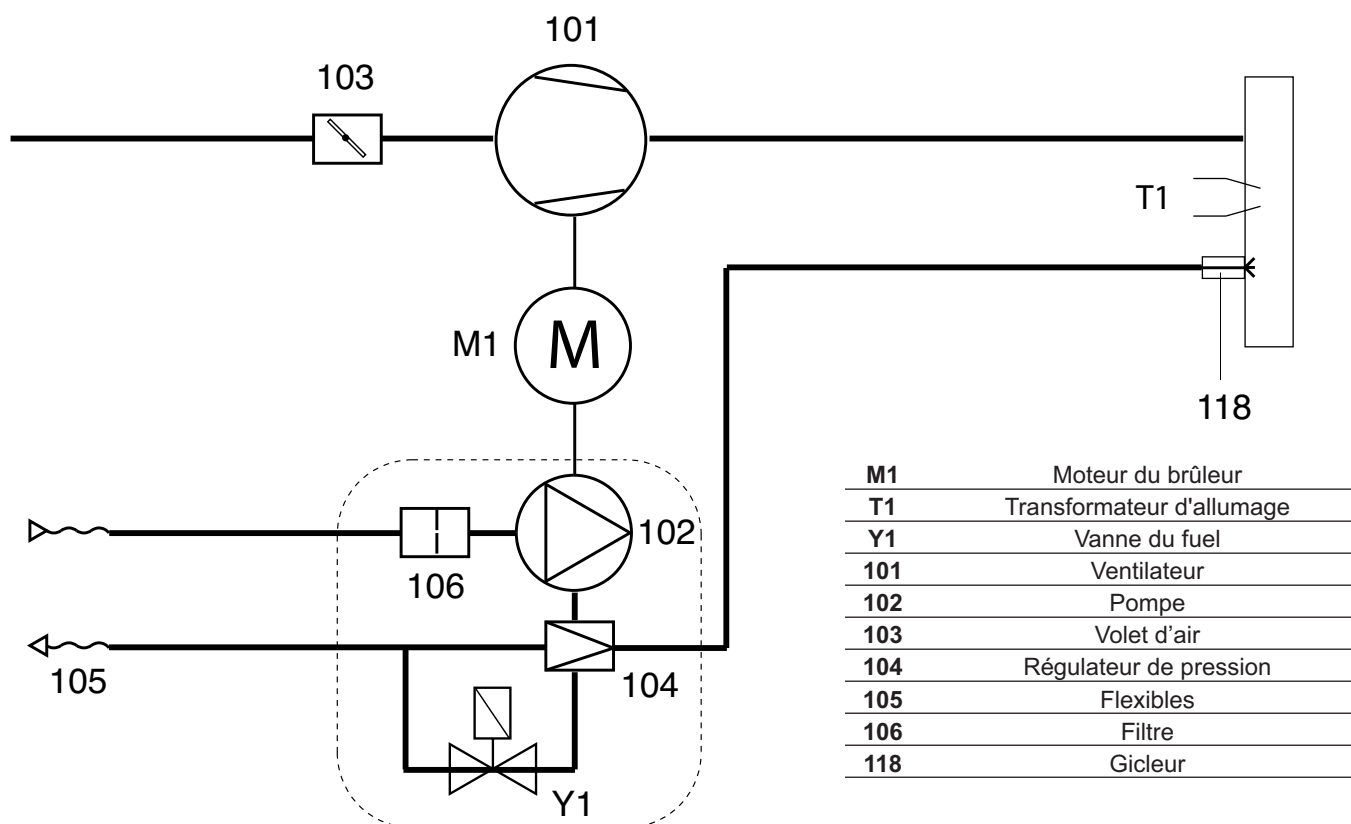
Arrêt de régulation

- Le régulateur de la chaudière interrompt la demande de chauffe.
- L'électrovanne fuel se ferme et la flamme s'éteint.
- Le moteur du brûleur s'arrête.
- Le brûleur est prêt à fonctionner.

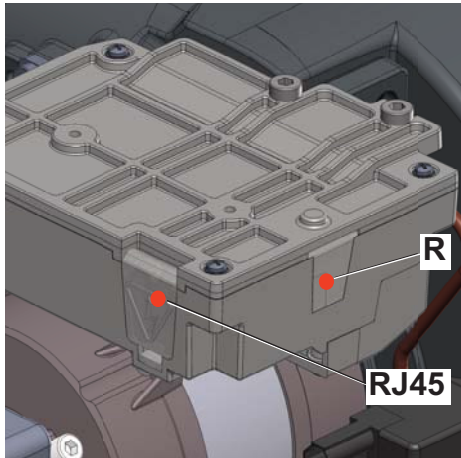
Fonction de sécurité

Une mise en sécurité intervient :

- lorsque pendant la préventilation, un



Fonction - Coffret de commande et de sécurité E-BCU OIL



- R** - Bouton de réarmement + LED de signalisation du blocage.
- RJ45** - Connecteur pour connexion PC (diagnostic, fourni séparément)



Kit E-BCU
Outils de diagnostic
(non inclus)

Le coffret de commande et de sécurité fioul domestique E-BCU OIL commande et surveille le brûleur à air soufflé. Grâce à la commande du déroulement du programme par microprocesseur, on aboutit à des temps très stables, indépendamment des variations de la tension d'alimentation électrique ou de la température ambiante. Le coffret est conçu avec une protection contre la baisse de la tension électrique. Lorsque la tension d'alimentation électrique se situe en dessous de la valeur minimale (170 V) demandée, le coffret de sécurité s'arrête sans émettre de signal de défaut. Dès que la tension dépasse 178 V, le coffret de

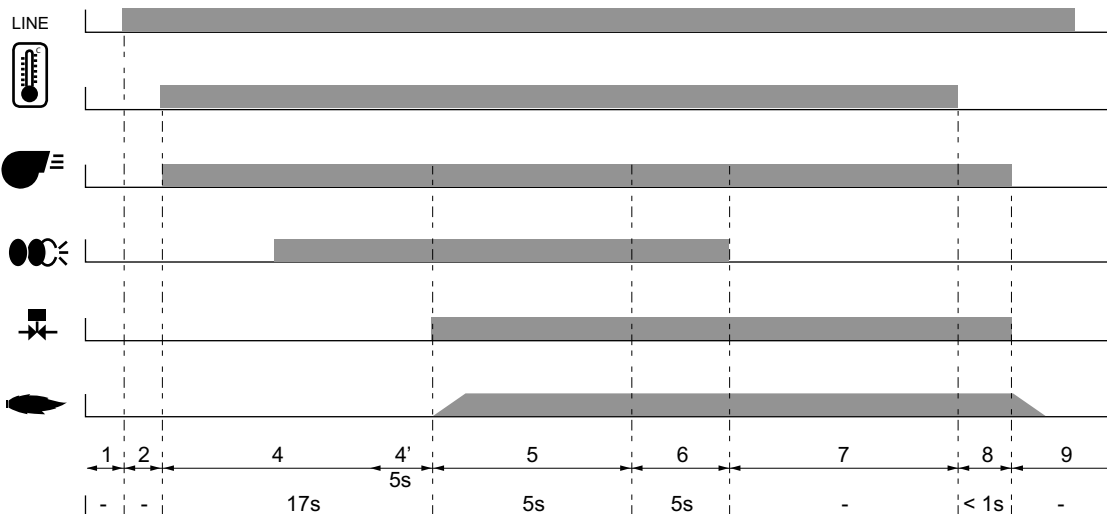
sécurité redémarre automatiquement.

Verrouillage et déverrouillage

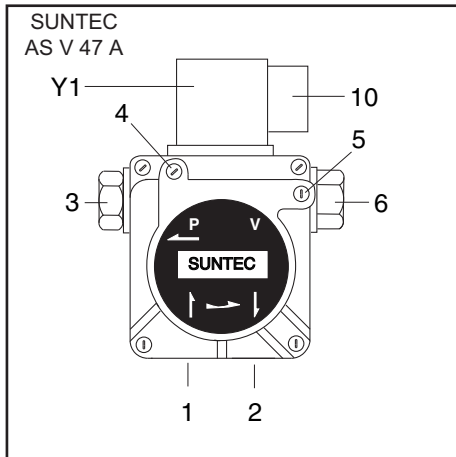
Le coffret de sécurité peut être verrouillé (défaut forcé) et déverrouillé (défaut acquité) au moyen du bouton R à la condition que le coffret soit sous tension.

! Avant le montage ou le démontage du coffret de sécurité, l'appareil doit être mis hors tension. Il ne faut ni ouvrir ni réparer le coffret de sécurité.

Symbole	Description
	Attente demande de chaleur chaudière
	Alimentation du moteur
	Mise sous tension de l'allumeur
	Flamme présente



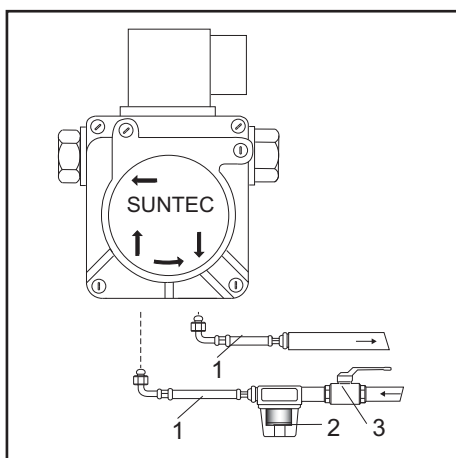
Fonction - Pompe du brûleur



- 1 connexion d'aspiration
- 2 connexion de retour
- 3 connexion pression
- 4 connexion manomètre
- 5 connexion vacuomètre
- 6 réglage de la pression du fioul
- 10 connexion électrique electrovanne
- Y1 electrovanne du fioul

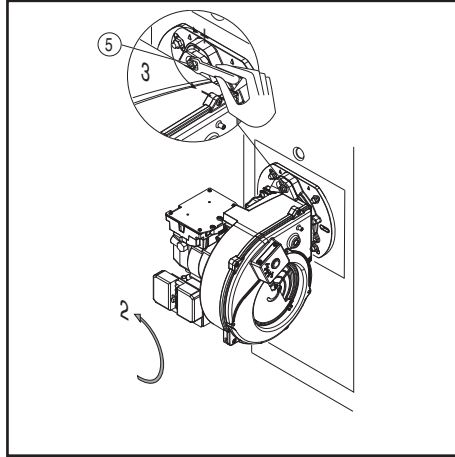
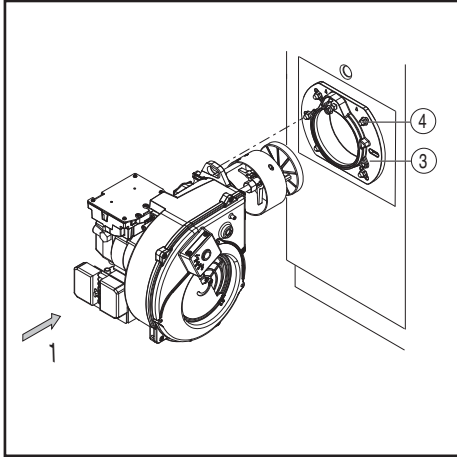
La pompe utilisée sur le brûleur de fioul domestique est une pompe auto-amorçante à engrenages qui doit être raccordée à un système bitube ; introduire le filtre dans la conduite d'aspiration. La pompe comprend un filtre d'aspiration et un régulateur de pression du fioul. Avant la mise en fonction de l'appareil, raccorder les manomètres de mesure de la pression et de la dépression.

N.B. : avant de démarrer le brûleur, contrôler que le retour est ouvert. Une éventuelle obstruction peut endommager le joint de la pompe.



- 1 Flexibles
- 2 Filtre
- 3 Robinet d'arrêt

Installation - Montage du brûleur



Montage du brûleur

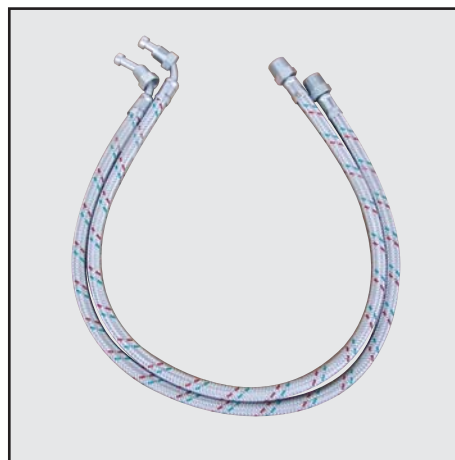
Le brûleur est fixé à la bride de fixation et, par conséquent, à la chaudière ; de cette manière, la chambre de combustion est fermée hermétiquement.

Montage:

- Fixer la bride de fixation 3 à la chaudière au moyen des vis 4.
- Tourner légèrement le brûleur, l'introduire dans la bride et le fixer avec la vis 5.

Démontage :

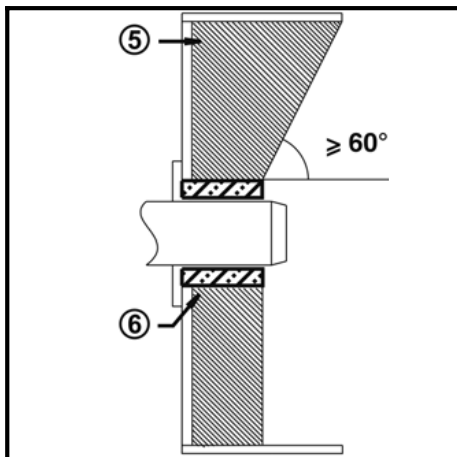
- Desserrer la vis 5.
- Tourner le brûleur et l'extraire de la bride.



Branchement du fioul domestique

Le filtre doit être monté de manière à ce qu'un guidage correct du tuyau flexible soit garanti.

Les tuyaux flexibles ne doivent pas être pliés.



Profondeur de montage du tube du brûleur et garnissage en maçonnerie

Pour les générateurs sans paroi avant refroidie et en l'absence d'indications contraires par le constructeur de la chaudière, il est nécessaire de réaliser un garnissage en maçonnerie ou une isolation (5) selon la figure ci-contre. Le garnissage en maçonnerie ne doit pas déborder la bordure avant du gueulard et sa dépouille conique ne doit pas dépasser 60°. L'interstice d'air (6) doit être comblé avec un matériau d'isolation élastique et ininflammable.

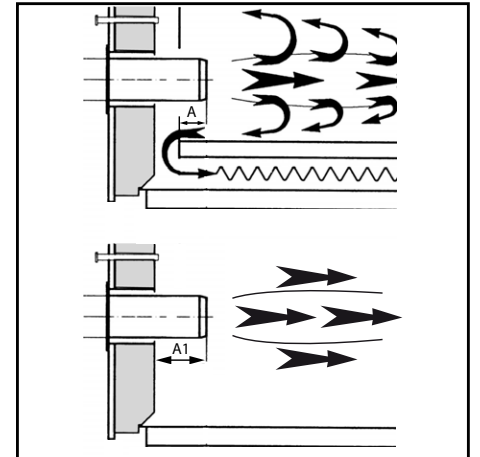
Dans les chaudières, la profondeur de pénétration du tube de flamme doit être respectée tout en tenant compte des indications du constructeur de la chaudière.

Chaudières à foyer borgne :

A = 50-100 mm.

Chaudières à trois passes :

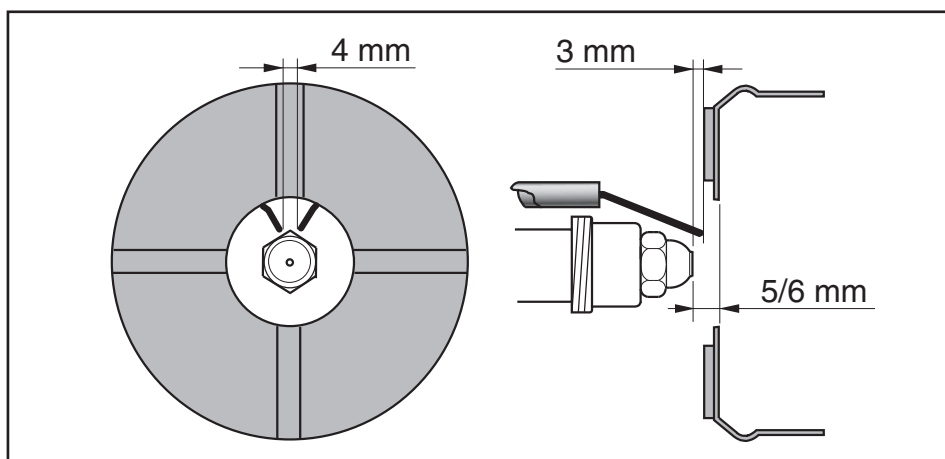
A1 = 50-100 mm.



Mené des fumées

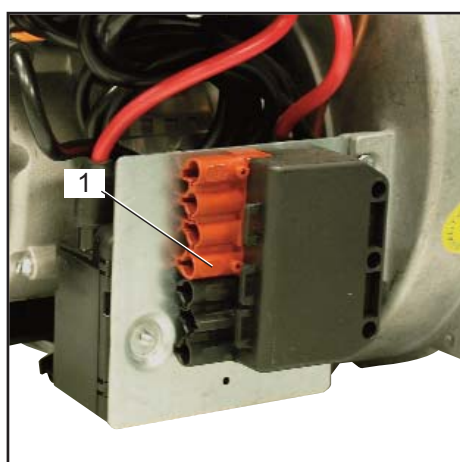
Au fin d'éviter du bruit non désirées, il est recommandé d'éviter les pièces de raccordement à angles droits lors du raccordement de la chaudière à la cheminée.

Installation - Raccordement électrique - Contrôles avant la mise en service



Position électrodes

NB: Après le remplacement du gicleur, vérifier toujours la position des électrodes (voir à l'illustration). Une position erronée des électrodes pourrait donner des problèmes d'allumage.



Raccordement électrique

L'installation électrique et les travaux de raccordement doivent être réalisés exclusivement par le personnel qualifié et autorisé.

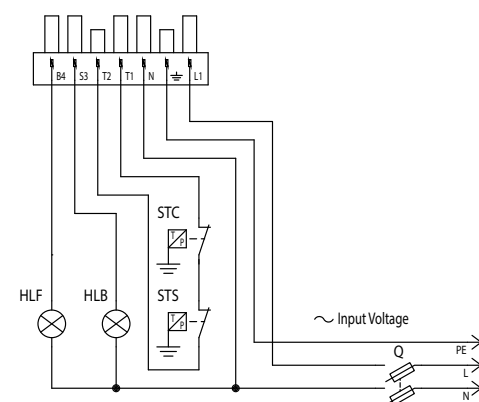
Les prescriptions et directives en vigueur doivent être respectées.

L'installation d'alimentation devra être munie d'un interrupteur différentiel de type A.

Respecter obligatoirement les prescriptions et les directives en vigueur, outre le schéma électrique fourni avec le brûleur!

• Vérifier si la tension électrique d'alimentation correspond à la tension de fonctionnement indiquée de 230 V, 50/60 Hz courant monophasé avec neutre et mise à la terre.

Fusible sur la chaudière: 5 A



Raccordement électrique par connecteurs

Le brûleur doit pouvoir être déconnecté du réseau à l'aide d'un dispositif de coupure omnipolaire conforme aux normes en vigueur. Le brûleur et le générateur de chaleur (chaudière) sont reliés entre eux par un connecteur Wieland à sept pôles (fig.1).

Contrôles avant la mise en service

Il convient de contrôler les points suivants avant la première mise en service.

- Montage du brûleur conformément aux présentes instructions.
 - Préréglage du brûleur conformément aux indications du tableau de réglage.
 - Réglage des organes de combustion.
 - Le générateur de chaleur doit être prêt à fonctionner, les prescriptions d'exploitation du générateur de chaleur doivent être respectées.
 - Toutes les connexions électriques doivent être réalisées correctement.
 - Le générateur de chaleur et le
- Les données de réglage ci-dessus sont des réglages de base. Les données de réglage d'usine sont encadrées en gras et sur fond gris. Dans un cas normal, ces réglages permettent la mise en service du brûleur. Vérifier en tout état de cause soigneusement les valeurs de réglage. En

général, en fonction de l'installation, des corrections doivent être apportées.

système de chauffage sont remplis d'eau, les pompes de circulation sont en service.

- Le régulateur de température, le régulateur de pression, la protection contre le manque d'eau et les autres dispositifs de limitation et de sécurité éventuellement présents sont raccordés et opérationnels.
- La cheminée doit être dégagée et le dispositif d'air additionnel, si présent, en fonctionnement.
- Un apport d'air frais suffisant doit être garanti.
- La demande de chaleur doit être présente.
- Les réservoirs de combustible doivent être remplis.
- Les conduites de combustible doivent être montées dans les règles de l'art, leur

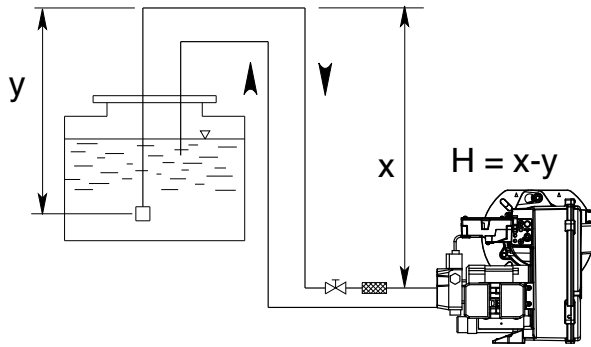
étanchéité contrôlée et être purgées.

- Un point de mesure conforme aux normes doit être présent, le conduit de fumée jusqu'au point de mesure doit être étanche, de telle manière que les résultats de mesure ne soient pas faussés.

Installation - Ligne d'alimentation du combustible

Brûleur dessous du réservoir

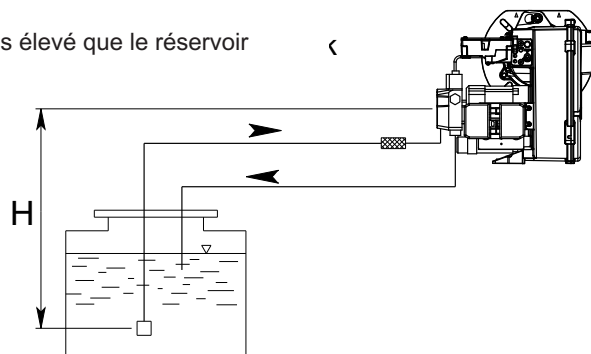
ALIMENTATION COMBUSTIBLE AVEC SUNTEC D 57 A



H (m)	Longueurs tuyaux (m)		
	ø 8 mm	ø 10 mm	ø 12 mm
0	37	95	150
0,5	42	107	150
1	47	118	150
2	65	150	150
3	65	150	150
4	74	150	150

N.B. = X < 20 m

Burner plus élevé que le réservoir



H (m)	Longueurs tuyaux (m)		
	ø 8 mm	ø 10 mm	ø 12 mm
0	37	95	150
0,5	33	84	150
1	28	73	150
2	19	50	107
3	10	27	60
4	0	5	13

Y doit être maintenue aussi faible que possible afin d'éviter la cavitation. Quoi qu'il en soit Y < 4 m.

Correction d'altitude	
Pompe en aspiration (H +) ou en charge (H -)	
Altitude (m)	H fictive (m)
0-500	0
501-800	0,5
801-1300	1,0
1301-1800	1,5
1801-2200	2,0

ex: altitude 1100m. H fictive = 1m H réelle 2m. H corrigée en aspiration 2 + 1 = 3m. H corrigée en charge 2 - 1 = 1m. Choisir dans le tableau le Ø de la tuyauterie en fonction de la longueur développée entre la citerne et la pompe. Si H corrigée en aspiration dépasse 4m ; prévoir une pompe transfert. (pression max 2bar).

! Les longueurs des canalisations sont valables pour des brûleurs alimentés par un réseau électrique en 50Hz ; dans le cas d'une alimentation en 60Hz, il faut diviser les longueurs lues par 1.5.

Mise en service - Données de configuration - Réglage de l'air

	GICLEUR		POMPE	DEBIT	REGLAGE TETE	REGLAGE VOLET D'AIR
	gph	spry	bar	kg/h	Pos.	Pos.
MAX 20 HT	3,50	60°	12		2,5	4,5
MAX 30 HT						

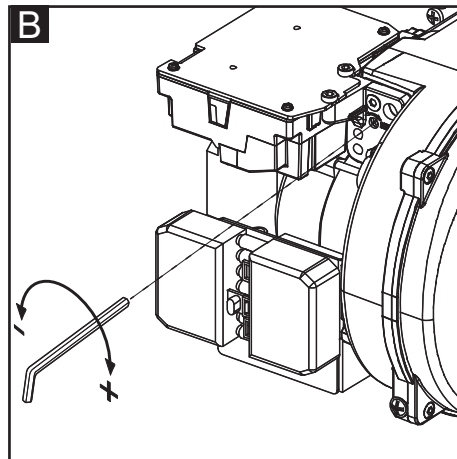
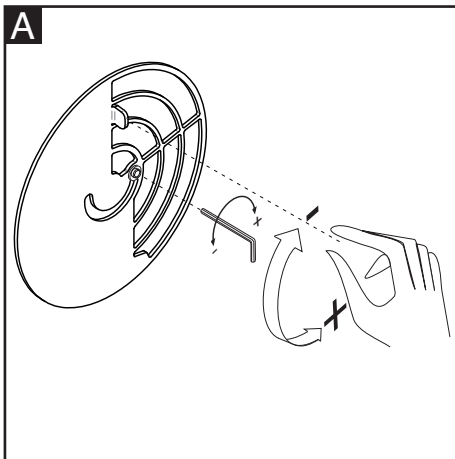
Les régulations indiquées sur suis **réglages de base**. Avec ces sélections, normalement, le brûleur peut être mis en fonction. Le réglage doit ensuite être vérifié au moyen d'un analyseur de combustion.

Des corrections subordonnées à chaque installation pourraient s'avérer nécessaires. On peut obtenir des valeurs de combustion favorables en utilisant les buses suivantes:

DANFOSS H+S 80°+60°

DELAN W 60°

STEINEN S 60°

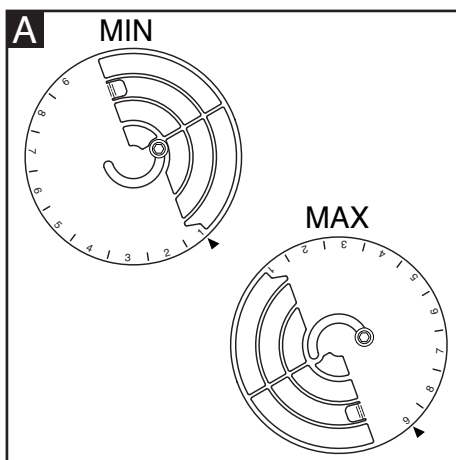


Régulation de l'air (A).

- Dévisser les vies avec une clé hexagonale:
- en tournant le volet d'air en sens horaire, portée diminue.
 - en tournant le volet d'air en sens contraire aux aiguilles d'une montre.
- Rejoint la valeur désirée fixer les vies.

Régulation de la tête de combustion (B).

- Agir sur les vies en figure:
- tourner avec une clé hexagonale jusqu'à la valeur souhaitée (index de 0 à 4.5).



Risque de déflagration:

Contrôler en permanence le CO, le CO₂ et les émissions de fumée pendant le réglage. En cas de formation de CO, optimiser les valeurs de combustion. La teneur en CO ne doit pas dépasser 50 ppm.

Mise en service - Réglage du brûleur - Réglage de la pression fuel

Démarrage du brûleur

Avant de démarrer le brûleur, remplir les conduites jusqu'à ce que le filtre du fioul domestique soit plein. Ensuite, démarrer le brûleur en agissant sur le thermostat de la chaudière. Pour éliminer complètement l'air de la conduite du gasoil, desserrer la vis de purge dans le filtre du gasoil durant la phase de pré-aération. Ce faisant, il ne faut pas parvenir sous une dépression de 0,4 bar. Lorsque le fuel émergeant est exempt de bulles d'air et le filtre est entièrement rempli de

fuel, fermer la vis de purge.

Réglage de la puissance du brûleur

Régler la pression du fioul domestique de manière à ce que le brûleur distribue la puissance souhaitée, en agissant sur le régulateur de pression. Toujours contrôler les valeurs de la combustion (CO, CO₂, indice de fumosité). Modifier, au besoin, le débit d'air, en procédant éventuellement de façon progressive.

minimale des fumées d'évacuation en fonction des indications du fabricant de la chaudière et selon les exigences du système d'évacuation des fumées, afin d'éviter la formation de condensation.

Réglage de la pression fuel

Pour régler la pression du fuel (et donc le débit du brûleur) agir sur le régulateur de pression **5** dans la pompe.

Rotation vers:

- la droite : augmentation de la pression;
 - la gauche : diminution de la pression.
- Pour le contrôle, il est nécessaire de raccorder un manomètre au branchement, manomètre **3**, filetage R1/8 pouce.

Contrôle de la dépression

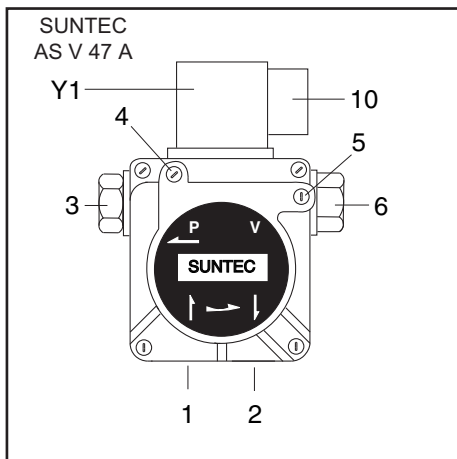
Le vacuomètre pour le contrôle de la dépression doit être connecté sur la prise **4**, R1/8".

Dépression maximale permise 0,4 bar. Avec dépression supérieure, le fuel de chauffage gazéifié en provoquant un bruit strident et l'endommagement de la pompe.

Nettoyage du filtre de la pompe

Le filtre se trouve sous le couvercle de la pompe (SUNTEC). Pour le nettoyer, il est nécessaire de desserrer les vis du couvercle et de le démonter (SUNTEC).

- Contrôler l'étanchéité du couvercle de la pompe et éventuellement remplacer le joint.



- 1 connexion d'aspiration
- 2 connexion de retour
- 3 connexion pression
- 4 connexion manomètre
- 5 connexion vacuomètre
- 6 réglage de la pression du fioul
- 10 connexion électrique electrovanne
- Y1 electrovanne du fioul

Optimiser les valeurs de combustion

Si les valeurs de combustion ne sont pas satisfaisantes, modifier la position de la tête de combustion. On modifie ainsi le comportement de mise en marche ainsi que les valeurs de la combustion. Si nécessaire, compenser la variation de débit d'air en adaptant la position du volet d'air.

Attention: en cas d'installation sur une chaudière, respecter la température

Contrôle de fonctionnement

Il convient de procéder à un contrôle de sécurité de la surveillance de flamme aussi bien lors de la première mise en service qu'après des révisions ou un arrêt prolongé de l'installation.

- Tentative de démarrage avec la cellule de détection de flamme assombri : au

terme du temps de sécurité, le coffret de sécurité doit se déplacer sur anomalie.

- Démarrage avec la cellule de détection de flamme éclairée : après une préventilation de 10 secondes, le coffret de sécurité doit se déplacer sur anomalie.
- Démarrage normal: lorsque brûleur est en service, assombrir le cellule

de détection de flamme: après un nouveau démarrage et au terme du temps de sécurité, le coffret de sécurité doit se déplacer sur anomalie.

Enregistrement des données de mise en service			
Test		n°1	n°2
Data			
Modèle			
Type de fioul			
Valeur calorifique du fioul			
Puissance du brûleur	min	kW	
Puissance du brûleur	max	kW	
Température fumée		C°	
Température de l'air		C°	
CO ₂		%	
CO		ppm	
NOx		ppm	
Rendement		%	
Action corrective			
Nom de l'opérateur			
Entreprise			

Maintenance - Entretien

Les travaux d'entretien sur la chaudière et sur le brûleur ne doivent être exécutés que par un spécialiste en chauffage. Afin d'assurer des opérations d'entretien régulières la souscription d'un contrat d'entretien doit être recommandée à l'utilisateur de l'installation.

Attention

- Avant toute intervention d'entretien et de nettoyage, couper l'alimentation

électrique.

- L'gueulard et les composantes de la tête peuvent être chauds.

Contrôle des températures des gaz de combustion

- Contrôler régulièrement la température des gaz de combustion.
- Nettoyer la chaudière lorsque la température des gaz de combustion dépasse la valeur à la mise en service de plus de 30°C.

- Utiliser un afficheur de température des gaz de combustion pour faciliter le contrôle.

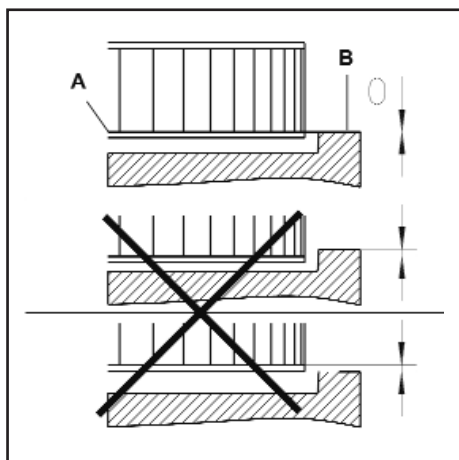
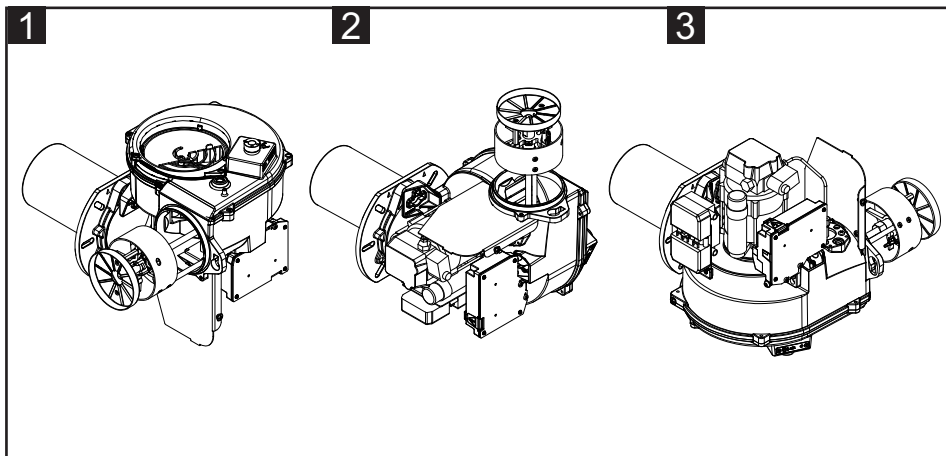
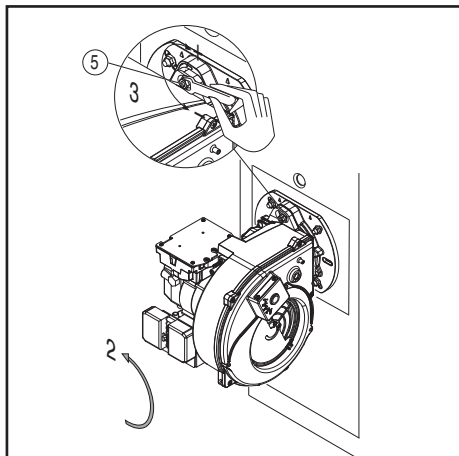
Positions d'entretien du brûleur

- Après avoir desserré la vis 5 et décroché le brûleur, on peut fixer dans trois positions d'entretien.

Position 1

Entretien ligne d'air (nettoyage/remplacement du ventilateur)

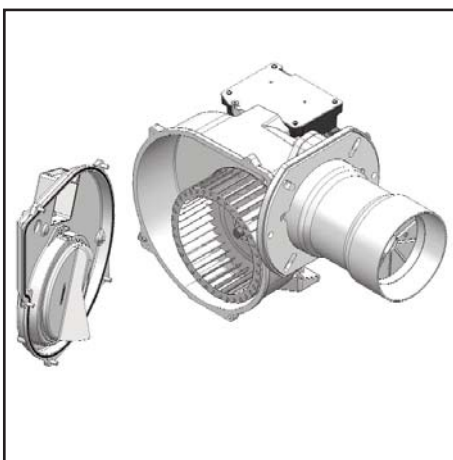
Position 2



Montage de la turbine

Lors du changement du moteur ou de la turbine, se référer au schéma de positionnement.

Le flasque interne **A** de la turbine doit être aligné avec la platine **B**. Insérer un réglet entre les aubes de la turbine et amener **A** et **B** à la même hauteur, serrer la vis sans tête avec une encoche sur le ventilateur (position d'entretien 1).



Nettoyage et remplacement du gicleur

Utiliser seulement la clé en dotation, prévue pour cette opération, pour dévisser le gicleur, en veillant à ne pas endommager les électrodes. Monter le nouveau gicleur par le même soin.

Note: Après le remplacement du gicleur, vérifier toujours la position des électrodes (voir à l'illustration). Une position erronée des électrodes pourrait donner des problèmes d'allumage.

Pour le remplacement de la buse et le remplacement/réglage des électrodes.

Position 3

Pour le remplacement de la pompe du fioul et du filtre.

Positions d'entretien

Position d'entretien n°1

- Nettoyer la turbine et le carter, et vérifier qu'ils ne sont pas endommagés.

Position d'entretien n°2

- Vérifier et nettoyer la tête de combustion.
- Remplacer le gicleur.
- Vérifier les électrodes, les régler ou les remplacer si nécessaire.

• démonter la tête de combustion.

Vérifier les réglages.

- Remonter le brûleur.

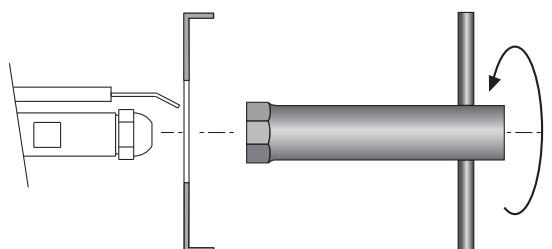
• Démarrer le brûleur, vérifier la combustion, et corriger les réglages du brûleur si nécessaire.

Position d'entretien n°3

• Tous les composants d'alimentation en combustible (flexibles, pompe, tube de liaison avec la ligne gicleur) et leurs accouplements respectifs devraient être vérifiés (étanchéité, usure) et changés si nécessaire.

- Vérifier toutes les connexions électriques et les câbles, et les remplacer si nécessaire.

• Vérifier le filtre de la pompe et le nettoyer si nécessaire.



Maintenance - Problèmes possibles

Causes et élimination des anomalies

En présence d'anomalies, es conditions de fonctionnement normal doivent être vérifiées:

1. Y a-t-il du courant?
2. Y a-t-il du fuel dans la citerne?
3. Tous les robinets d'arrêt sont-ils ouverts?
4. Tous les appareils de régulation et de sécurité tels que thermostat de chaudière, protection contre le manque d'eau, interrupteur de fin de course, sont-ils réglés?

Au cas où, après je contrôle des points susdits, l'anomalie persistait, employer le suivant tableau.

Les composantes de sécurité ne doivent pas être réparés, mais plutôt ils doivent être substitué avec des composantes rapportant le même code article.

Utiliser exclusivement des pièces de rechange d'origine.

NB: Après toute intervention contrôler:

- es valeurs de combustion en conditions de exercice (porte de la locale chaudière écluse, couverture montée, etc).
- enregistrer les valeurs de combustion dans le livret de central.

Afficheur E-BCU : l'interface doit exclusivement être utilisée par le personnel qui effectue le service pour pouvoir lire les anomalies du brûleur.



Symbole	Constats	Causes	Remèdes
	Pas de demande de chaleur	Thermostat mal réglé ou défectueux	Vérifier / remplacer le thermostat.
	Tension d'alimentation inférieure à la limite minimale de fonctionnement.	Baisse ou défaillance de la tension d'alimentation électrique. Défaut au niveau du coffret.	Vérifier la cause de la baisse ou de l'absence de tension. Remplacer le coffret.
	Le brûleur démarre à la mise sous tension durant un temps très court et s'arrête, allumage du voyant de blocage	Le coffret a été volontairement verrouillé	Débloquer nouvellement le programmeur de je commande.
	Le brûleur démarre et s'arrête après la préventilation	Flamme parasite pendant le temps de préventilation ou le temps de préallumage.	Vérifier l'éincelle d'allumage / régler les électrodes / remplacer Vérifier / remplacer l'électrovanne de fuel
	Le brûleur démarre et s'arrête après l'ouverture des électrovannes	Absence de flamme à la fin du temps de sécurité.	Vérifier le niveau de fuel dans la citerne. Si nécessaire, remplir la citerne . Ouvrir les vannes. Contrôler la pression fuel et le fonctionnement de la pompe, de l'accouplement, du filtre et del'électrovanne. Contrôler le circuit d'allumage, les électrodes et leurs réglages. Nettoyer les électrodes. Nettoyer et remplacer la cellule.
	Défaillance de la flamme en cours de fonctionnement.	La flamme s'éteint durant la phase d'exploitation	Si nécessaire, remplacer les pièces suivantes : électrodes d'allumage / câbles d'allumage / allumeur / gicleur / pompe / électrovanne / coffret de sécurité.

Contenidos generales - índice - advertencias generales

Descripción	Datos técnicos	3
	Ámbito de funcionamiento	4
	Dimensiones	5
Contenidos generales	índice	42
	Advertencias generales	42
	Descripción del quemador	43
Función	Funciones generales de seguridad	44
	Equipo control llama y de seguridad E-BCU OIL	45
	Bomba del quemador	46
Instalación	Montaje del quemador	47
	Conexión eléctrica	48
	Comprobaciones previas a la puesta en servicio	48
	Línea de alimentación del combustible	49
Puesta en servicio	Datos de ajuste - ajuste del aire	50
	Ajuste del quemador	51
	Ajuste de la presión de gasóleo	51
Mantenimiento	Conservación	52
	Posibles inconvenientes	53
Descripción	Esquemas eléctrico	66
	Piezas de recambio	67-68
Contenidos	Declaración de conformidad	69

Advertencias importantes

Los quemadores MAX se han concebido para la combustión de gasóleo de calefacción EL. Los quemadores son compatibles, en su funcionamiento con la norm EN 267.

La instalación, la puesta en marcha y el mantenimiento deben ser realizados exclusivamente por técnicos instaladores autorizados siguiendo las directivas y recomendaciones vigentes.

Descripción del quemador

El quemador MAX es un aparato monobloque de una etapa y con un funcionamiento completamente automático.

Y adecuada para todo tipo de generadores de calor que cumplan la norma EN 303 o para generadores pulsadores de aire caliente fabricados según la norma DIN 4794, DIN 30697 o EN621 en su intervalo de potencias.

Cualquier otro uso debe ser objeto de una solicitud de autorización a Ecoflam.

Para un funcionamiento completamente seguro, respetuoso con el medio ambiente y económico desde el punto de vista energético, se deben tener en cuenta las siguientes normas:

EN 226

Conexión de quemadores de gasóleo a nebulización y quemadores de gas de aire soplado a un generador de calor.

EN 60335-2

Seguridad de los aparatos eléctricos para uso doméstico.

Condiciones de instalación

El quemador no se debe poner en servicio en locales expuestos a vapores agresivos (por ejemplo laca para el cabello, tetracloroetileno, tetracloruro de carbono), con gran cantidad de polvo o alto grado de humedad del aire (por ejemplo en lavanderías).

Es necesario que el local de instalación disponga de una ventilación adecuada para garantizar las condiciones para una buena combustión. Las disposiciones locales pueden indicar requisitos diferentes.

No quedan cubiertos por la garantía los daños resultantes de las siguientes causas:

- uso inadecuado.
- montaje defectuoso, instalación realizada por el comprador o un tercero, uso de piezas no originales.

Entrega de la instalación y consejos de uso

El instalador del sistema debe facilitar al usuario de la misma, como muy tarde en el momento de la entrega, las instrucciones de uso y mantenimiento. éstas deben conservarse en un lugar bien visible de la sala de calderas. Deben contener la dirección y número de teléfono del servicio de atención al cliente más cercano.

Advertencia para el operador

Al menos una vez al año, un técnico especialista deberá revisar la instalación. Para garantizar que dicha revisión se realice de una manera regular, es muy recomendable suscribir un contrato de mantenimiento.

Los quemadores Ecoflam se han diseñado y construido de acuerdo con las normativas y directivas corrientes. Todos los quemadores responden a las normativas sobre la seguridad y sobre el ahorro energético en el límite del campo de trabajo declarado. La calidad del producto está garantizada por el sistema de certificación según la norma ISO 9001:2008.

Contenidos generales - Descripción del quemador

MAX 20 LN TC - D HT CV 230-50 TW

NOMBRE

MAX Gasóleo

MODELO (Gas: kW; Gasóleo: kg/h)

MAX 20 20 kg/h

EMISIONES

MAX Low NOx Low NOx Clase 3 llama amarilla (<120 mg/kWh)
 MAX Estándar Clase 2-OIL EN267 (<185 mg/kWh)

TIPO DE CABEZA

TC Cabeza corta
 TL Cabeza larga

COMBUSTIBLE

- Gasóleo /Fuel pesado
 KER Cherosene
 BIODIESEL Biodiesel

CONFIGURACIÓN EN LA PETICIÓN DEL

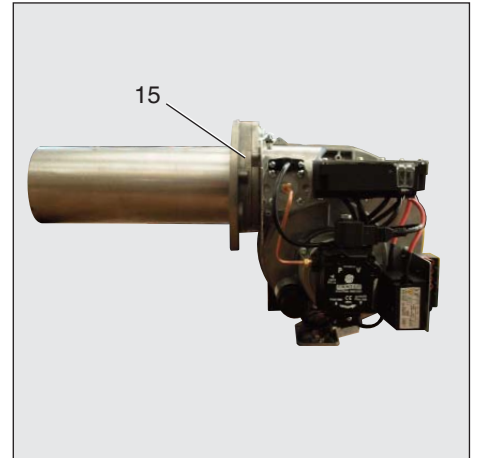
HT Versión da alta temperatura
 D HT Versión bomba D, Versión da alta temperatura
 CV Ventilación continua

TENSION DE ALIMENTACIÓN

230-50 230 Volt, 50Hz

EQUIPO CONTROL LLAMA

TW Thermowatt



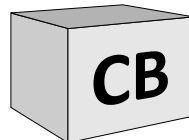
- A1 E_BCU OIL Cajetín de control y de seguridad gasóleo
- M1 Motor eléctrico de bombas y ventiladores
- T1 Transformador
- Y Support cabeza combustión
- Y1 Electroválvulas
- 3 Regulación del aire en la cabeza combustión
- 5 Tornillo de fijación de la placa
- 9 Toma Wieland
- 15 Brida del quemador
- 16 Botón de desbloqueo
- 102 Bomba de gasóleo
- 113 Toma de aire

Embalaje

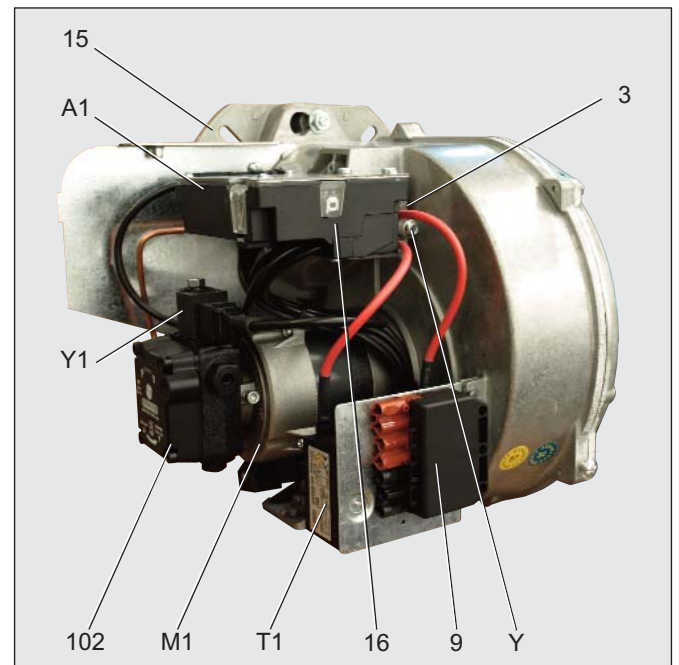
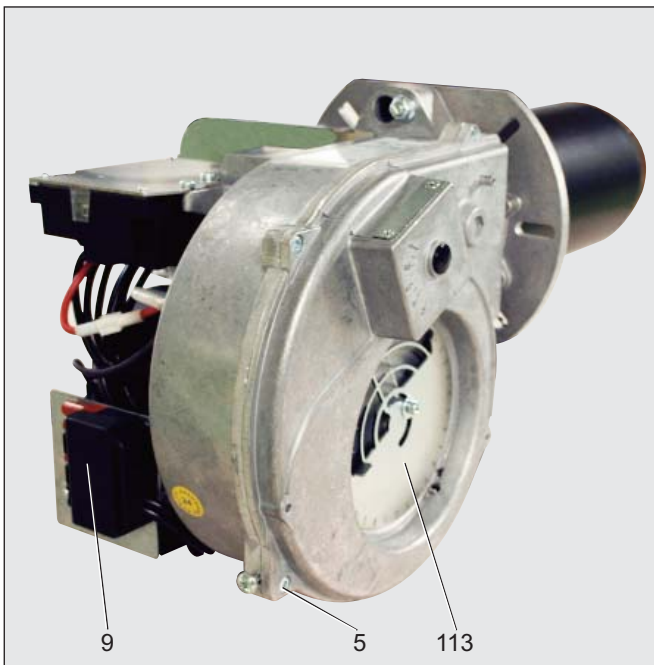
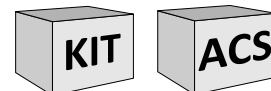
CB : QUEMADOR COMPLETO

- 1 bolsa

- manual técnico multilingüe.
- filtro y latiguillos.
- espina wieland.
- inyector y clave para inyector.
- tornillo, tuercas y arandelas.



KIT & ACS disponibles y entregados por separado



Función - Funciones generales de seguridad

Funcionamiento

- Cuando el regulador de la caldera registra una solicitud de calor, el cajetín de control (combustion) de gasóleo pone en marcha el desarrollo del programa.
- El motor arranca, el encendedor se activa y comienza el tiempo de preventilación (15 s).
- Durante la preventilación, el hogar está vigilado para detectar una posible presencia de llama.
- Tras la preventilación, las electroválvulas de gasóleo se abren y el quemador se enciende.
- Durante el funcionamiento, el circuito de encendido se interrumpe.

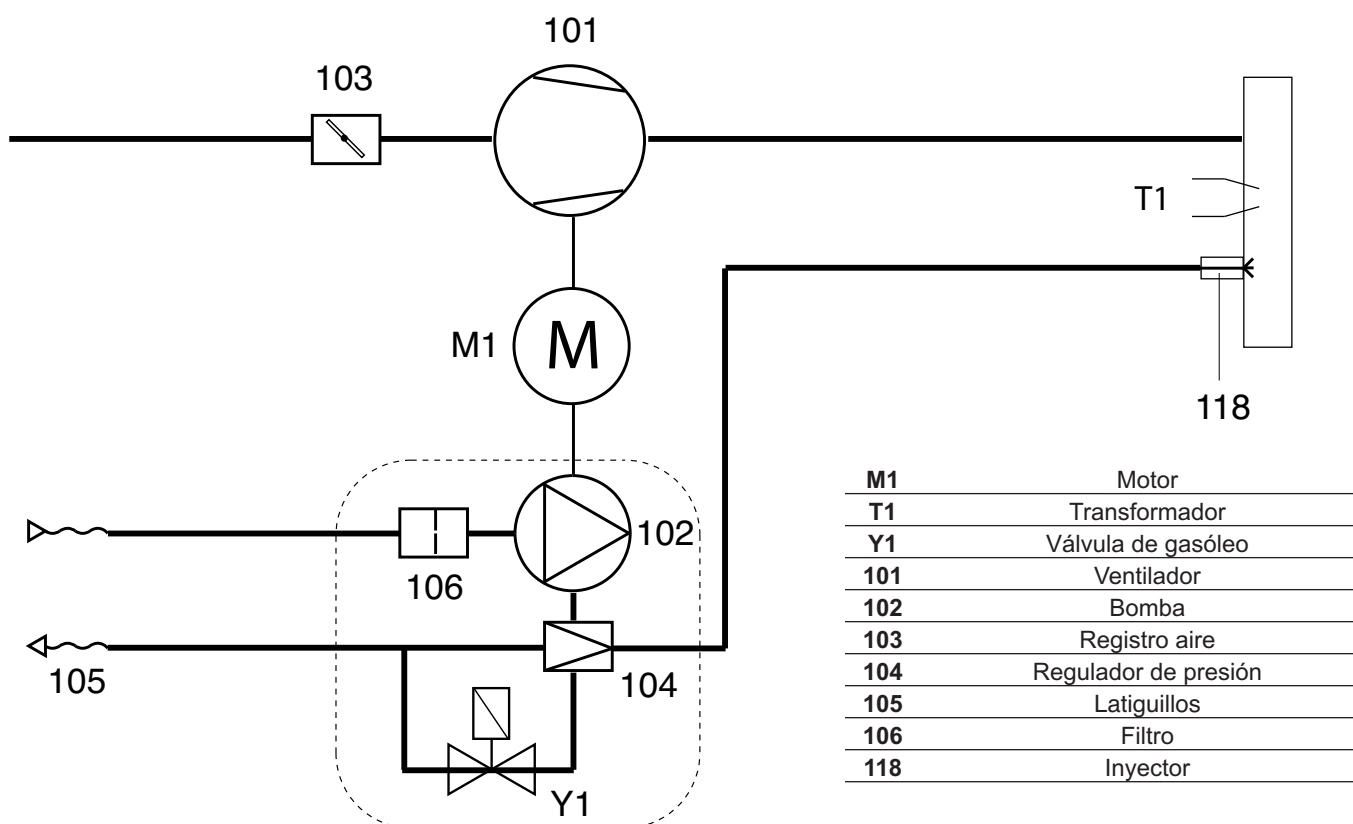
Parada de regulación

- El termostato de la caldera interrumpe la solicitud de calor.
- Las electroválvulas de gasóleo se cierran y la llama se apaga.
- El motor del quemador se detiene.
- El quemador está listo para funcionar.

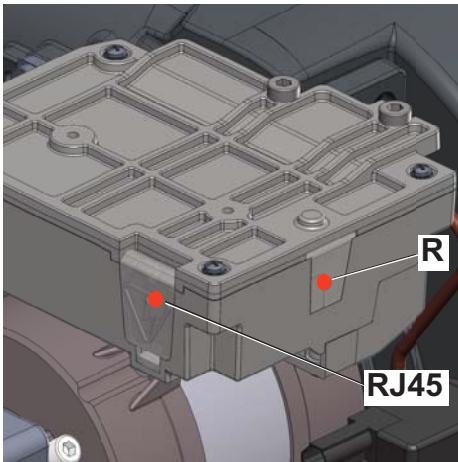
Función de seguridad

- El bloqueo de seguridad se produce:
- cuando, durante la preventilación, se detecta señal de llama, (vigilancia de

- llama parásita);
 - cuando, en el momento de la puesta en marcha (autorización de admisión de combustible), no se produce llama al cabo de 5 segundos (tiempo de seguridad);
 - cuando, en caso de pérdida de llama en funcionamiento, no se ha formado llama tras una repetición infructuosa del programa.
- Un bloqueo de seguridad se indica con el testigo de fallo. El quemador se desbloquea una vez eliminada la causa del fallo pulsando el botón de desbloqueo. Para más información, consultar la descripción del cajetín de seguridad.



Función - Equipo control llama y de seguridad E-BCU OIL



- R** - Boteón de reinicio + led indicación de bloqueo.
- RJ45** - Conector para la interfaz de PC (diagnóstico, ítem separado).



Kit E-BCU
tool diagnóstico
(no incluido)

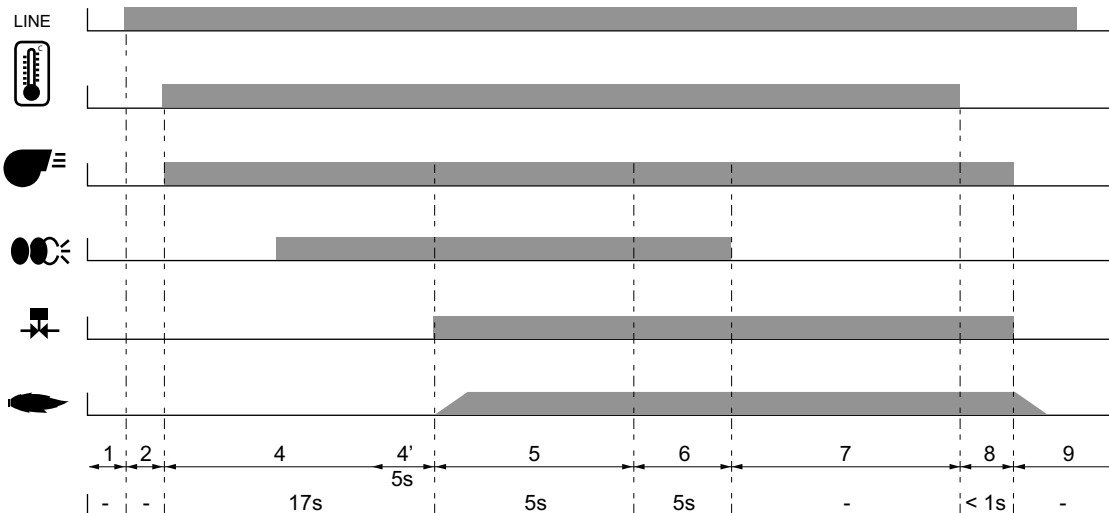
El programador de control y seguridad de fioul domestique E-BCU OIL comanda y supervisa el quemador de aire soplado. Gracias al programa de gestión del microprocesador, se obtienen tiempos extremadamente estables, independientes de las oscilaciones de la tensión en la red o de la temperatura ambiente. El programador de comando y seguridad fue proyectado para trabajar con bajas tensiones. Si la tensión de la red desciende por debajo de los valores mínimos (170 V), el programador de comando se desactiva, sin mostrar una señal de error. Una vez que la tensión sube por encima de los 178 V, el programador arranca nuevamente.

Bloqueo y desbloqueo

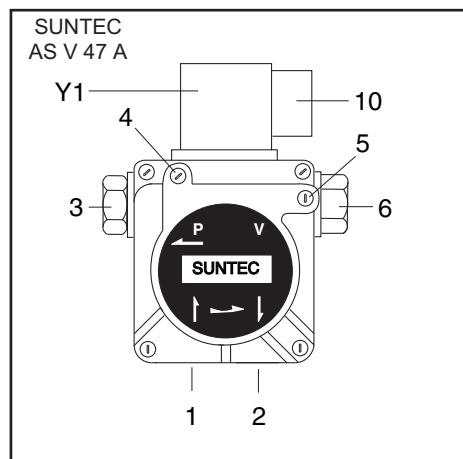
El programador de comando se puede bloquear (en condiciones de anomalía) y desbloquear (eliminación de la anomalía) mediante el pulsador "R" en las condiciones que el programador de comando presente tensión en la red.

! Antes del montaje o del desmontaje del programador de comando, el equipo debe ser desconectado de la red de alimentación. El programador de comando no debe ser abierto o reparado.

Símbolo	Descripción
	Espera de solicitud de calor de la caldera
	Alimentación del motor
	Activación del encendedor
	Llama presente



Función - Bomba del quemador



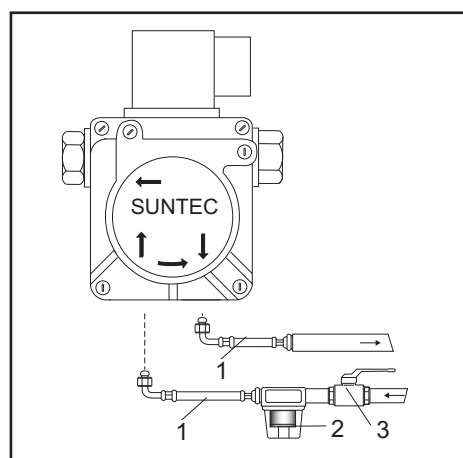
- 1 conexión de aspiración
- 2 conexión de retorno
- 3 conexión presión
- 4 conexión manómetro
- 5 conexión vacuómetro
- 6 ajuste de la presión de gasóleo
- 10 conexión eléctrica electroválvula
- Y1 electroválvula de gasóleo

La bomba utilizada en el quemador de gasóleo es un bomba de engranajes. autocebadora, que se tiene que conectar con sistema bitubo; es necesario introducir el filtro en el tubo de aspiración.

La bomba dispone de un filtro de aspiración y de un regulador de presión del gasóleo.

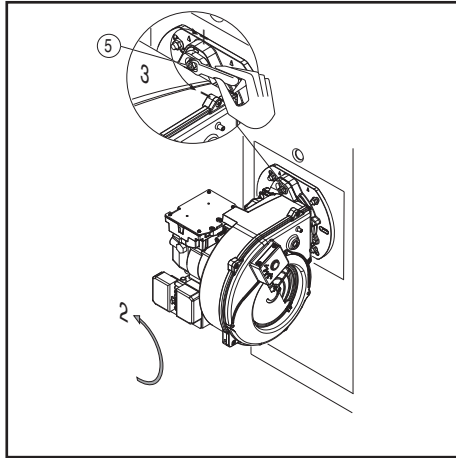
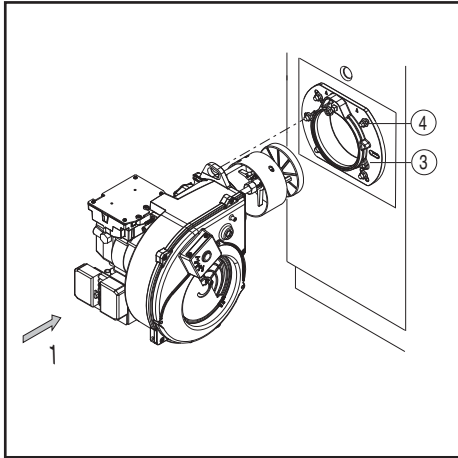
Antes de la puesta en funcionamiento del aparato, es necesario conectar los manómetros para medir la presión y la depresión.

NB: antes de poner en marcha el quemador, controlar que el retorno se encuentre abierto. Una eventual obstrucción puede provocar desperfectos en la garnición de la bomba.



- 1 Latiguillos
- 2 Filtro
- 3 Válvula de corte

Instalación - Montaje del quemador



Montaje del quemador

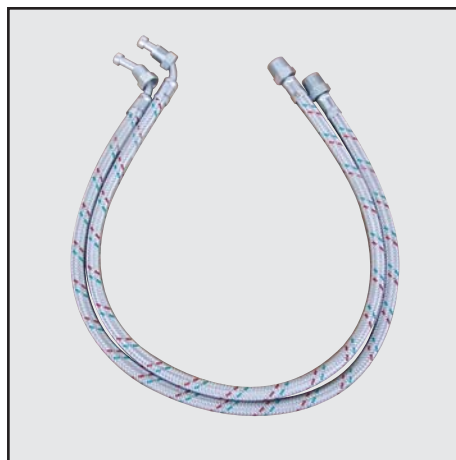
El quemador se fija a la brida de encaje y por consiguiente a la caldera, de esta forma la cámara de combustión se cierra herméticamente.

Montaje:

- Fijar la brida de encaje 3 a la caldera con los tornillos 4.
- Girar ligeramente el quemador, introducirlo en la brida y fijarlo con el tornillo 5.

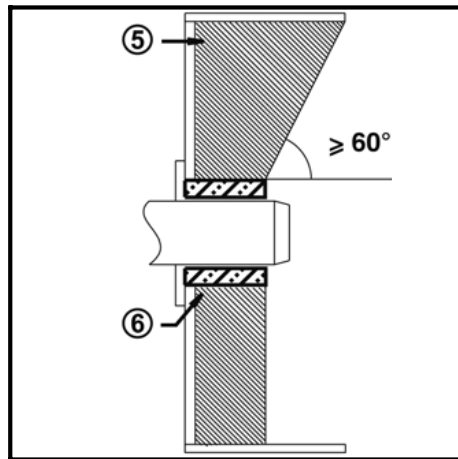
Desmontaje:

- Aflojar el tornillo 5.
- Girar el quemador y extraerlo de la brida.



Conexión del gasóleo

El filtro se tiene que montar de forma que se garantice una colocación correcta del tubo flexible. Los tubos flexibles no pueden estar doblados.



Profundidad de montaje del tubo del quemador y guarnecido de albañilería

Para los generadores sin pared delantera enfriada y en ausencia de indicaciones contrarias del fabricante de la caldera, es necesario realizar un guarnecido de albañilería o un aislamiento (5) según la ilustración contigua.

El guarnecido de albañilería no debe sobresalir del borde delantero del tubo de llama y su conicidad no debe ser superior a 60°. El hueco de aire (6) debe rellenarse con un material de aislamiento elástico y no inflamable.

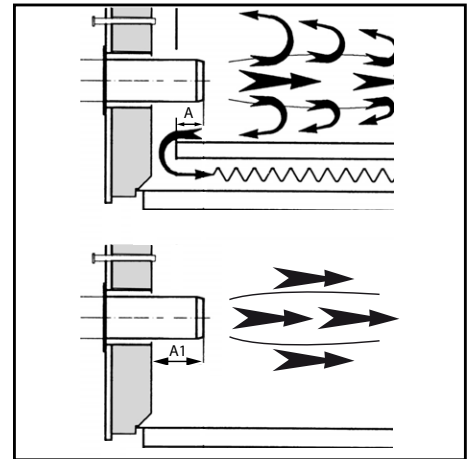
Para las calderas se debe respetar la profundidad de penetración del tubo de llama teniendo en cuenta las indicaciones del fabricante de la caldera.

Calderas con combustión inversa :

A = 50-100 mm.

Calderas en tres pasos :

A1 = 50-100 mm.

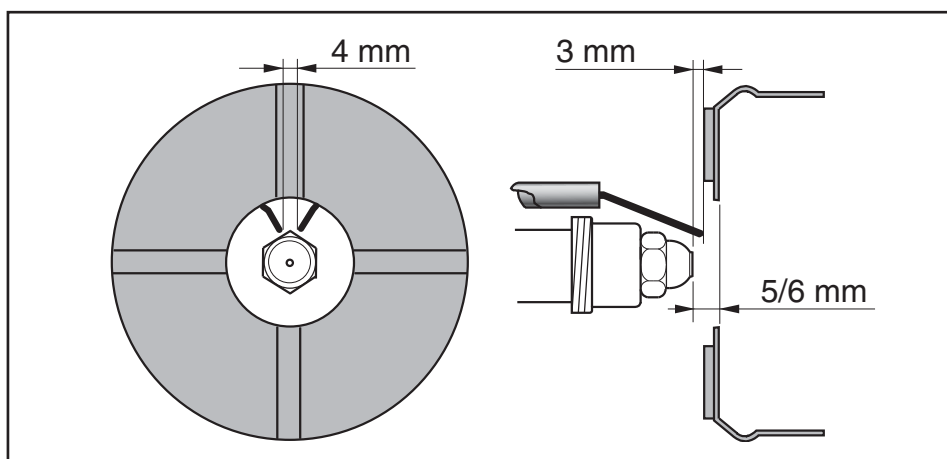


Conducto de humo

Con el fin de evitar posibles emisiones acústicas desagradables, se recomienda evitar las piezas de conexión con ángulos rectos durante la conexión de la caldera a la chimenea.

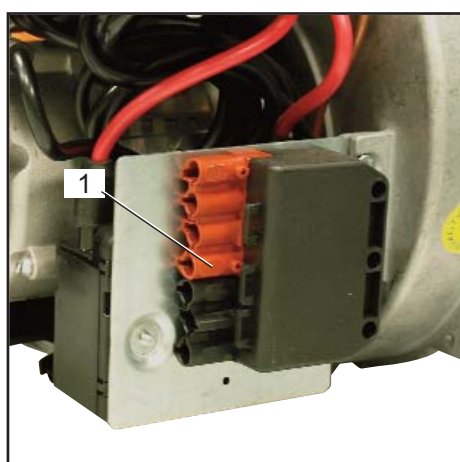
Instalación - Conexión eléctrica

- Comprobaciones previas a la puesta en servicio



Posición del electrodo

NB: Comprobar todavía la posición de los electrodos después del montaje (ver a la ilustración). Una posición errada puede originar problemas de encendido.



Conexión eléctrica

La instalación eléctrica y los trabajos de conexión debe realizarlos exclusivamente por personal autorizado.

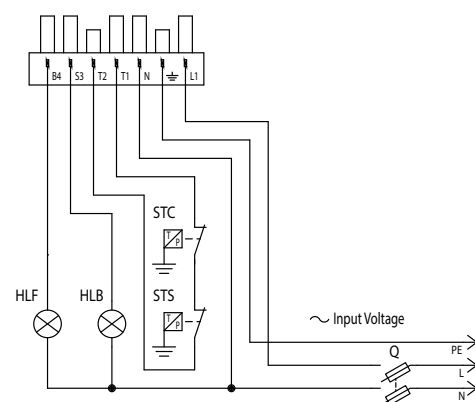
Deben seguirse las recomendaciones y las directivas vigentes.

El equipo de alimentación tiene que disponer de un interruptor diferencial de tipo A.

Respetar obligatoriamente las disposiciones y las directivas en vigor, además del esquema eléctrico suministrado con el quemador!

- Compruebe si la tensión eléctrica de alimentación se corresponde con la tensión de funcionamiento indicada de 230 V, 50/60 Hz corriente monofásica con neutro y toma de tierra.

Fusible de la caldera: 5 A



Conexión eléctrica mediante conectores

El quemador debe poder desconectarse de la red por medio de un dispositivo de corte unipolar acorde con la normativa vigente. El quemador y el generador de calor (caldera) están conectados entre sí por un conector a espia Wieland a siete polos (fig.1).

Comprobaciones previas a la puesta en servicio

Conviene controlar los siguientes puntos antes de la puesta en servicio.

- Montaje del quemador de conformidad con las presentes instrucciones.
- Ajuste previo del quemador según las indicaciones del cuadro de ajuste.
- Ajuste de los dispositivos de combustión.
- El generador de calor debe estar listo para funcionar; deben respetarse sus recomendaciones de utilización.
- Todas las conexiones eléctricas deben realizarse correctamente.
- El generador de calor y el sistema de calefacción deben estar lo suficientemente llenos de agua; las bombas de circulación deben funcionar.
- El regulador de temperatura, el regulador de presión, la protección contra la falta de agua y el resto de dispositivos de limitación y de seguridad que puedan

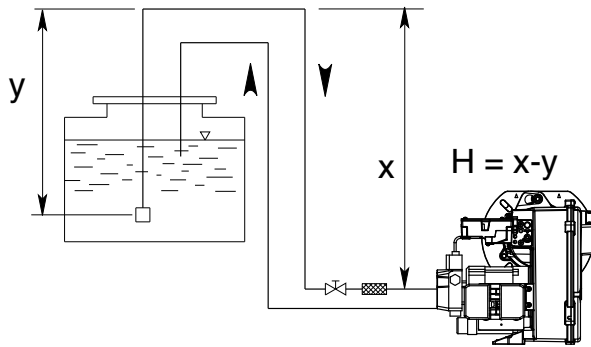
encontrarse presentes están conectados y operativos.

- La chimenea debe estar despejada y el dispositivo de aire adicional, si se encuentra instalado, en funcionamiento.
- Debe garantizarse un aporte suficiente de aire fresco.
- La solicitud de calor debe estar presente.
- Los depósitos de combustible deben estar llenos.
- Los conductos de combustible deben estar montados según las reglas del oficio, su estanqueidad comprobada y estar purgados.
- Debe existir un punto de medición conforme a las normas; el conducto de humos hasta el punto de medición debe ser estanco, de tal forma que los resultados de medición no se falseen.

Instalación - Línea de alimentación del combustible

Quemador debajo del tanque

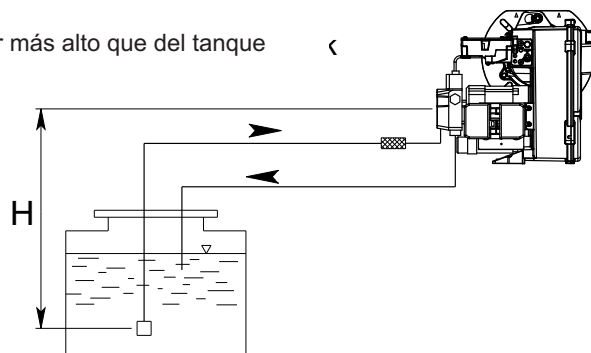
ALIMENTACIÓN DEL COMBUSTIBLE CON SUNTEC D 57 A



H (m)	Longitud de los tubos (m)		
	ø 8 mm	ø 10 mm	ø 12 mm
0	37	95	150
0,5	42	107	150
1	47	118	150
2	65	150	150
3	65	150	150
4	74	150	150

N.B. = X < 20 m

Quemador más alto que del tanque



H (m)	Longitud de los tubos (m)		
	ø 8 mm	ø 10 mm	ø 12 mm
0	37	95	150
0,5	33	84	150
1	28	73	150
2	19	50	107
3	10	27	60
4	0	5	13

Y debe mantenerse lo más bajo posible, para evitar la cavitación. En cualquier caso, Y < 4 m.

Corrección de altitud	
Bomba en aspiración (H +) o en carga (H -)	
Altitude (m)	H fictive (m)
0-500	0
501-800	0,5
801-1300	1,0
1301-1800	1,5
1801-2200	2,0

ex: altitude 1100m. H fictive = 1m H réelle 2m. H corrigée en aspiration 2 + 1 = 3m. H corrigée en charge 2 - 1 = 1m. Choisir dans le tableau le Ø de la tuyauterie en fonction de la longueur développée entre la citerne et la pompe. Si H corrigée en aspiration dépasse 4m ; prévoir une pompe transfert. (pression max 2bar).

! Las longitudes de los tubos son válidas para quemadores alimentados por la red eléctrica a 50 Hz; en el caso de alimentación a 60 Hz, dividir las longitudes leídas por 1.5.

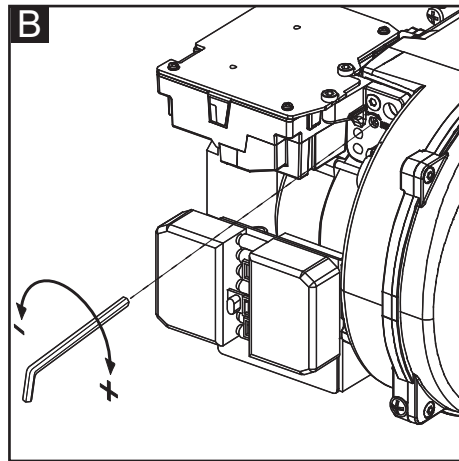
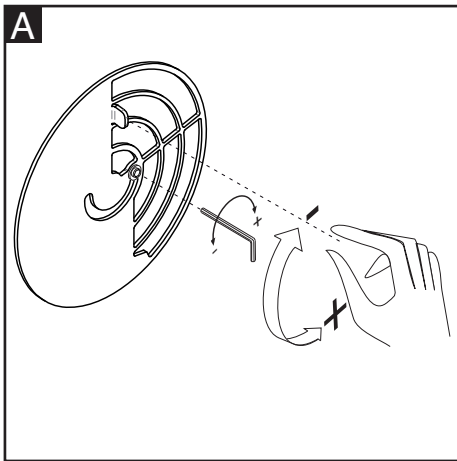
Puesta en servicio - Datos de ajuste - Ajuste del aire

	INYECTOR		BOMBA	CAUDAL	REGLAJE DE LA CABEZA	REGLAJE DEL AIRE
	gph	spry	bar	kg/h	Pos.	Pos.
MAX 20 HT	3,50	60°	12		2,5	4,5
MAX 30 HT						

Los datos de ajuste anteriores son **ajustes básicos**. En un caso normal, estos ajustes permiten la puesta en servicio del quemador. La regulación se tiene que comprobar utilizando un analizador de combustión.

Podrían ser necesarias correcciones subordinadas al propio equipo. Es posible obtener valores de combustión favorables mediante la utilización de los inyectores siguientes:

DANFOSS H+S 80°+60°
DELAVAN W 60°
STEINEN S 60°



Reglaje del aire (A).

Desatornille el tornillo de la fijación con la llave inglesa hexagonal:

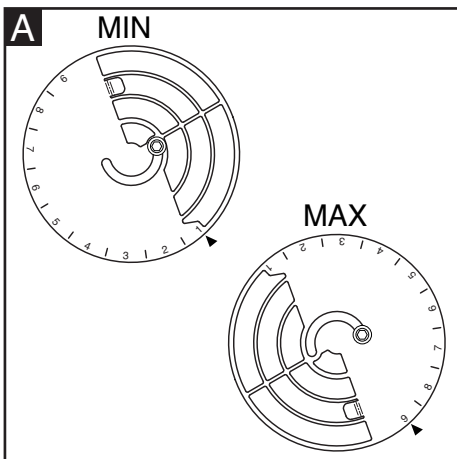
- girando en el sentido contrario de las agujas del reloj, el caudal aumenta.
- girando en el sentido al de las agujas del reloj, el caudal disminuye.

Alcanzó el valor deseado para fijar el tornillo.

Reglaje de la cabeza de combustión(B).

Accionar el tornillo de la figura:

- girar con una llave hexagonal hasta alcanzar el valor deseado (índice de 0 a 4,5).



! **Existe riesgo de deflagración:** controle constantemente el CO, el CO2 y las emisiones de humo durante el ajuste. En caso de formación de CO, optimice los valores de combustión. El contenido de CO no debe ser superior a 50 ppm.

Puesta en servicio - Ajuste del quemador - Ajuste de la presión de gasóleo

Arranque del quemador

Antes de la puesta en marcha del quemador, cargar los tubos hasta que el filtro del gasóleo se llene.

Poner en marcha el quemador accionando el termostato de la caldera. Para eliminar completamente el aire del tubo del gasóleo, desatornillar el tornillo de purgado en el filtro del gasóleo durante la fase de preventilación.

Al hacerlo, no se debe alcanzar una depresión 0,4 bar. Cuando el filtro esté completamente lleno de gasóleo y

empiece a salir el gasóleo sin burbujas de aire, vuelva a cerrar el tornillo de purga.

Regulación de la potencia del quemador

Regular la presión del gasóleo de forma que el quemador suministre la potencia deseada, accionando el regulador de presión. Controlar siempre los valores de la combustión (CO, CO₂, índice de humo). En caso necesario, modificar el caudal de aire, eventualmente de forma progresiva.

indicaciones del fabricante de la caldera y según los requisitos del sistema de escape de dichos gases, para evitar la formación de condensación.

Regulación presión del gasóleo

Para regular la presión del gasóleo (y por lo tanto la potencia del quemador) accionar el regulador de presión 5 en la bomba.

Girar hacia:

- derecha: aumento de la presión;
- izquierda: reducción de la presión.

Para el control es necesario conectar un manómetro a la conexión, manómetro 3, roscado R1/8".

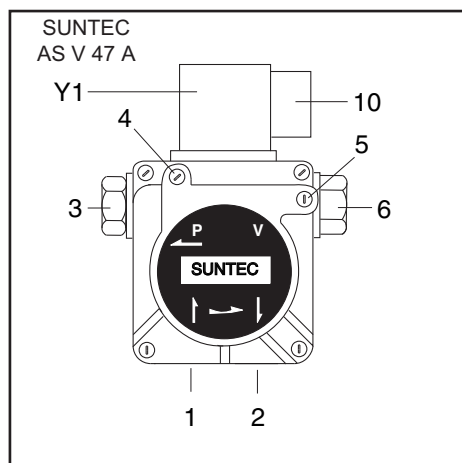
Control depresión

El vacuómetro para el control de la depresión tiene que estar conectado al racor 4, R1/8". Depresión máxima permitida: 0,4 bar. Con una depresión superior, el gasóleo de calentamiento se gasifica provocando un ruido estridente y desperfectos en la bomba.

Limpieza del filtro de la bomba

El filtro se encuentra debajo de la tapa de la bomba (SUNTEC). Para limpiarlo es necesario aflojar los tornillos de la tapa y desmontarlo (SUNTEC).

- Controlar la estanqueidad de la tapa de la bomba y eventualmente sustituir la guarnición.



- 1 conexión de aspiración
- 2 conexión de retorno
- 3 conexión presión
- 4 conexión manómetro
- 5 conexión vacuómetro
- 6 ajuste de la presión de gasóleo
- 10 conexión eléctrico electroválvula
- Y1 electroválvula de gasóleo

Optimizar los valores de combustión

Si los valores de combustión no son satisfactorios, modificar la posición del cabezal de combustión. De esta forma se modifica el comportamiento de puesta en marcha y los valores de la combustión. Si es necesario, compense la variación de caudal de aire adaptando la posición de la válvula de aire.

Atención: en caso de instalación sobre caldera, respetar la temperatura mínima de los gases de combustión según las

Control de funcionamiento

Es necesario realizar un control de la seguridad de la vigilancia de la llama tanto durante la primera puesta en servicio como después de las revisiones o tras una parada prolongada de la instalación.

- Intento de arranque con la célula de

detección de llama ocultada: al término del tiempo de seguridad, el cajetín de control y de seguridad debe moverse anomalía.

- Arranque con la célula de detección de llama iluminada: tras una preventilación de 10 segundos, el cajetín de control y de seguridad debe moverse anomalía.

- Puesta en marcha normal; si el quemador funciona, oculte la célula de detección de llama: tras un nuevo arranque y una vez transcurrido el tiempo de seguridad, el cajetín de control y de seguridad debe moverse anomalía.

Registro de los datos de puesta en funcionamiento		
Test	n°1	n°2
Fecha		
Model		
Tipo de fuel pesado		
Valor calorífico del fuel pesado		
Potencia del quemador min		
Potencia del quemador max		
Temperatura de los humos		
Temperatura del aire		
CO ₂		
CO		
NOx		
Rendimiento		
Acción correctiva		
Nombre del operador		
Empresa		

Mantenimiento - Conservación

Las operaciones de mantenimiento de la caldera debe llevarlas a cabo un técnico especialista en calefacción. Para garantizar la realización anual de los trabajos de mantenimiento, se recomienda firmar un contrato de mantenimiento.

Atención

- Antes de realizar cualquier intervención de mantenimiento y limpieza, cortar el suministro eléctrico.

- La tobera y los componentes del cabezal pueden estar calientes.

Control de las temperaturas de los gases de combustión

- Compruebe con regularidad la temperatura de los gases de combustión.
- Limpie la caldera cuando la temperatura de los gases de combustión supere el valor de puesta en servicio en más de 30°C.
- Utilice un indicador de temperatura de

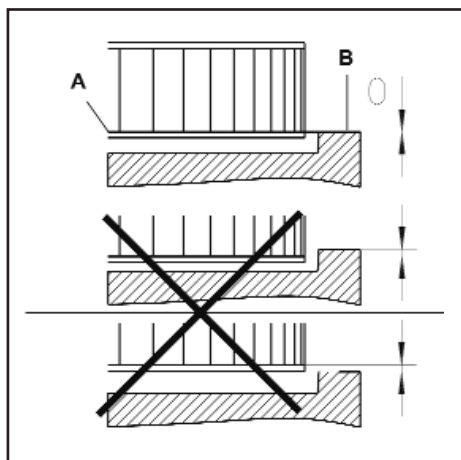
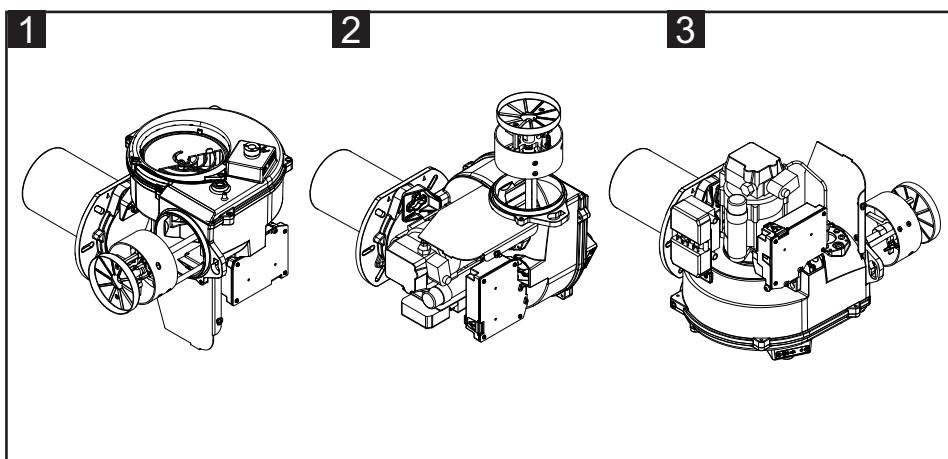
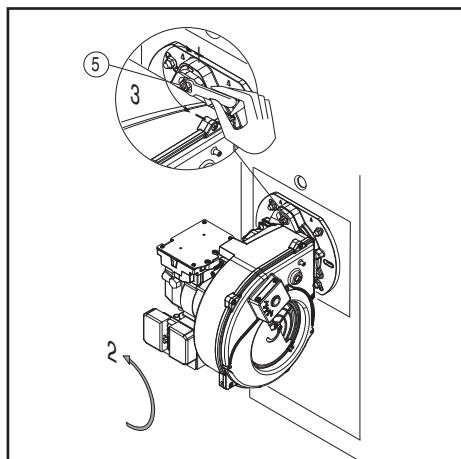
los gases de combustión para facilitar la comprobación.

Posiciones de mantenimiento del quemador

- Después de aflojar el tornillo 5 y de desenganchar el quemador, es posible fijarlo en tres posiciones de mantenimiento.

Posición 1

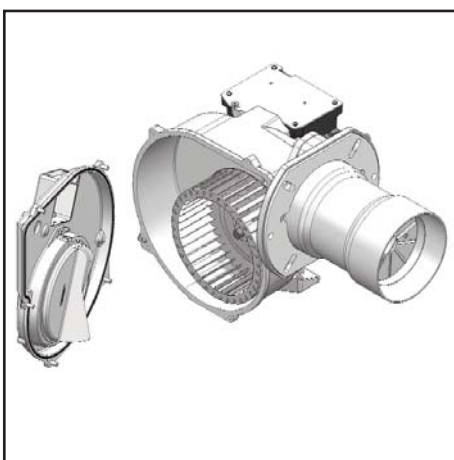
Mantenimiento línea aire (limpieza/sustitución turbina)



Montaje de la turbina

Durante el cambio de ventola o motor, remitir al esquema de posicionamiento.

El disco interno A de la turbina debe ser alineado con la placa B. Introduzca una regleta entre los álabes de la turbina y sitúe A y B a la misma altura, apretar el tornillo con ranura en el ventilador (posición de mantenimiento 1).



Posición 2

Para sustitución del inyector y sustitución/regulación electrodos.

Posición 3

Para sustitución de la bomba de gasóleo y del filtro.

Posiciones de mantenimiento

Posición de mantenimiento n.º 1

- Limpiar la turbina y el cárter y comprobar que no estén deteriorados.

Posición de mantenimiento n.º 2

- Comprobar y limpiar la cabeza de combustión.

- Sustituir el inyector.

- Comprobar los electrodos de encendido, ajustarlos o sustituirlos si es necesario.

Posición de mantenimiento n.º 3

- Volver a montar la cabeza de combustión. Comprobar los ajustes.

- Montar de nuevo el quemador.

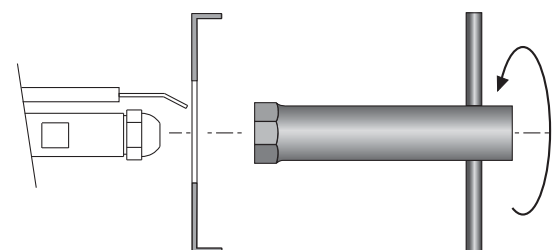
- Poner en marcha el quemador, comprobar la combustión y corregir los ajustes del quemador si es necesario.

Posición de mantenimiento n.º 3

- Todos los componentes de alimentación de combustible (mangueras, bomba, tubo de unión con la línea de boquilla de inyección) y sus acoplamientos respectivos deben ser comprobados (estanqueidad, desgaste) y cambiados si es preciso.

- Comprobar las conexiones eléctricas y los cables y sustituirlos en caso necesario.

- Comprobar el filtro de la bomba y limpiarlo si es preciso.



Mantenimiento - Posibles inconvenientes

Causas y resolución de anomalía

En caso de anomalía se deben comprobar las condiciones de funcionamiento normal:

1. Hay corriente eléctrica?
2. Hay gasóleo en la cisterna?
3. Están abiertas todas las válvulas de cierre?
4. Todos los aparatos de regulación y de seguridad, como por ejemplo el termostato de la caldera, el dispositivo de protección contra la falta de agua, el interruptor de fin de carrera, etc. están regulados?

En el caso de que, después de comprobar los puntos arriba, la anomalía persiste, consulte la tabla siguiente.

Los componentes de seguridad no debe ser reparado, pero se debe reemplazados por componentes de la muestra el mismo número de artículo.

Utilice exclusivamente piezas.

NB: Después de cualquier intervención:

- bajo condiciones de funcionamiento normales (las puertas se cerraron, capilla cabida, etc.), la combustión del cheque y comprueba las líneas individuales para saber si hay escapes.
- Registre los resultados en los documentos relevantes.

El interfaz de la visualización de E-BCU se debe utilizar para leer las averías por el personal de servicio.



Símbolo	Observaciones	Causas	Soluciones
	Sin solicitud de calor	Termostato defectuoso o mal ajustado	Compruebe/sustituya el termostato.
	Corriente de alimentación inferior al límite mínimo de funcionamiento.	Disminución o fallo de tensión de alimentación eléctrica. Fallo en la zona del equipo control llama	Comprobar la causa de disminución o ausencia de tensión. Sustituir el equipo control llama
	El quemador se enciende al activarlo durante breves instantes y, a continuación, se apaga, encendido del espía de bloqueo	El equipo control llama se ha bloqueado voluntariamente	Desbloquear el equipo control llama de nuevo
	El quemador se enciende y se apaga tras la pre-ventilación	Luz parásita durante el tiempo de pre-ventilación o el tiempo de pre-encendido.	Compruebe la chispa de encendido/ajuste los electrodos/sustitúyalos Compruebe/sustituya la electroválvula de gasóleo
	El quemador se enciende y se apaga tras la apertura de las electroválvulas	Ausencia de llama transcurrido el tiempo de seguridad.	Verifique el nivel de gasóleo en la cisterna. Rellene la cisterna si es preciso. Abra las válvulas. Compruebe la presión de gasóleo y el funcionamiento de la bomba, del acoplamiento, del filtro y de la electroválvula.
	Fallo de la llama durante el funcionamiento.	La llama se apaga durante la fase de funcionamiento	Compruebe el circuito de encendido, los electrodos y sus ajustes. Limpie los electrodos. Limpie y sustituya la célula. Si es preciso, sustituya las piezas siguientes: electrodos de encendido/cables de encendido/ encendedor/boquilla de inyección/bomba/ electroválvula/ el equipo de control llama.

Содержание общего характера - Содержание - Предупреждения общего характера

Обзор	Технические характеристики	3
	Рабочий диапазон	4
	Размеры	5
Содержание общего характера	Содержание	54
	Предупреждения общего характера	54
	Описание горелки	55
Функция	Общие функции безопасности	56
	Блок управления и безопасности E-BCU OIL	57
	Насос горелки	58
Установка	Установка горелки	59
	Электрическое соединение	60
	Необходимые проверки перед пуском в эксплуатацию	60
	Линия питания горючего	61
Ввод в эксплуатацию	Параметры конфигурации - Регулировка подачи воздуха	62
	Регулировка горелки	63
	Регулировка давления дизельного топлива	63
Техническое обслуживание	Работы по техническому обслуживанию	64
	Возможные неполадки	65
Обзор	Электрические схемы	66
	Запчасти	67-68
Содержание	Сертификат соответствия	69

Основные указания

Горелки MAX предназначены для сжигания мазута EL. По своей конструкции и функционированию горелки соответствуют стандарту EN 267. Монтаж, пуск в эксплуатацию и техническое обслуживание должны производиться только специалистами, имеющими соответствующий допуск, с соблюдением всех действующих директив и предписаний.

Описание горелки

Одноступенчатая горелка MAX работает полностью в автоматическом режиме при запуске моноблока. Она подходит для оснастки всех теплогенераторов, соответствующих стандарту EN 303 и/или воздушно-отопительных агрегатов в соответствии с DIN 4794, DIN 30697 или EN621 в пределах диапазона мощности. Для любого другого использования требуется разрешение компании Ecoflam.

В целях обеспечения безопасного,

экологически чистого функционирования, низкого потребления энергии, необходимо соблюдать следующие правила:

EN 226

Подключение наддувных жидкотопливных или газовых горелок к теплогенератору.

EN 60335-2

Безопасность бытовых электроприборов.

Условия установки

Горелка не должна эксплуатироваться в помещениях с агрессивной средой (например, с распыляемыми веществами, тетрахлорэтилен, тетрахлорметан), сильно запыленным воздухом или с высокой влажностью (например, в прачечных). Достаточная вентиляция должна быть предусмотрена в помещении, где установлена горелка, так, чтобы обеспечить условия для хорошего сгорания. Местное законодательство может содержать дополнительные требования.

Гарантия не распространяется на возмещение ущерба, вызванного следующими причинами:

- ненадлежащее использование
- неправильная установка, установка, выполненная покупателем или третьими лицами, использование неоригинальных элементов.

Передача установки пользователю и рекомендации по эксплуатации

Установщик обязан не позднее момента передачи установки пользователю передать ему инструкции по эксплуатации и техническому обслуживанию установки. Они должны храниться в котельной на видном месте. В них должен быть указан номер телефона и адрес ближайшего центра технического обслуживания.

Рекомендации пользователю

Не менее одного раза в год оборудование должно проверяться квалифицированным специалистом. Для обеспечения регулярных проверок рекомендуется заключить договор на проведение технического обслуживания.

Горелки производства Ecoflam были разработаны и изготовлены в соответствии с действующими нормативами и директивами. Все горелки соответствуют стандартам безопасности и энергосбережения в пределах заявленного рабочего поля. Качество продукции гарантировано системой сертификации в соответствии с нормой ISO 9001:2008

Содержание общего характера - Описание горелки

MAX 20 LN TC - D HT CV 230-50 TW

НАЗВАНИЕ

MAX Газойль

МОДЕЛЬ (газ: кВт; Газойль: кг/ч)

MAX 20 20 кг/ч

ВЫБРОСЫ

MAX Low NOx Low NOx Класс 3 желтым пламенем (<120 мг/кВтч)
MAX Стандарт Класс 2-OIL EN267 (<185 мг/кВтч)

Головка типа

TC КОРОТКАЯ ОГНЕВАЯ ГОЛОВКА
TL ДЛИННАЯ ОГНЕВАЯ ГОЛОВКА

ТОПЛИВО

- Мазут
KER Керосин
BIO DIESEL Биодизель

КОНФИГУРАЦИЯ НА ЗАПРОСЕ

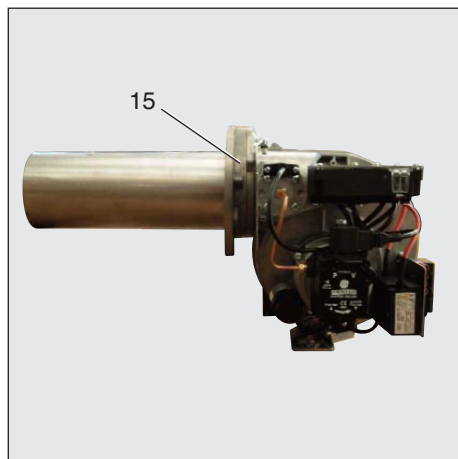
HT Высокотемпературная версия
D HT версия качать D, Высокотемпературная версия
CV Ventilación continua

ИСТОЧНИК ПИТАНИЯ

230-50 230 В, 50 Гц

БЛОК УПРАВЛЕНИЯ

TW Thermowatt



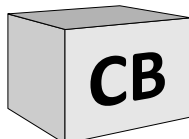
- A1 E_BCU OIL Блок управления и безопасности
- M1 Электродвигатель вентилятора и насос
- T1 Устройство розжига
- Y Градуированный стержень
- Y1 Электромагнитный клапан
- 3 Регулировка воздуха в головке сгорания
- 5 Винт крепления панели
- 9 Розетка wieland
- 15 Фланец горелки
- 16 Кнопка разблокировки
- 102 Топливный насос
- 113 Короб воздухозабора

Упаковка

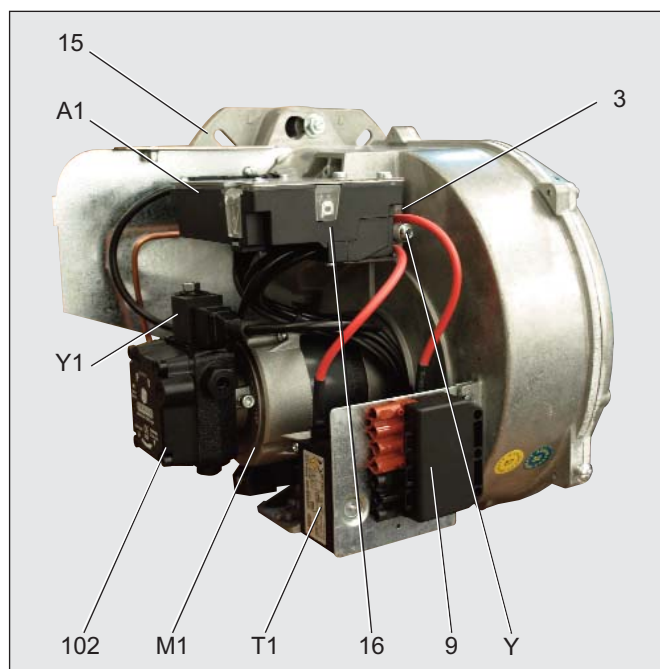
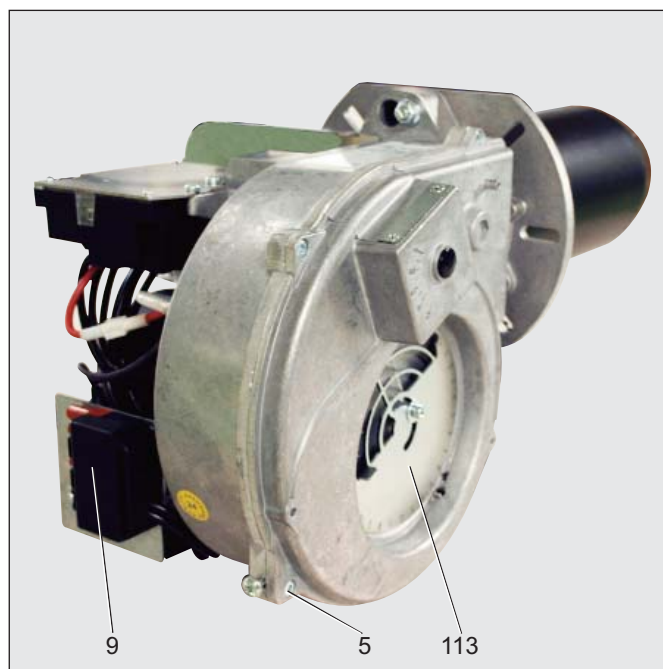
CV : ГОРЕЛКА В КОМПЛЕКТЕ

- 1 пакет

- многоязычное техническое руководство.
- фильтр и гибкие шланги.
- штепсель wieland.
- форсунка и ключ для форсунки.
- винты, гайки и шайбы.



KIT & ACS заказываемые и поставляемые отдельно



Функция - Общие функции безопасности

Работа

- Когда регулятор котла выдает запрос на тепло, блок управления и безопасности запускает процесс.
- Начинает работать электродвигатель, включается система розжига и начинается период предварительной вентиляции (15 секунд).
- Во время предварительной вентиляции, топочная камера отслеживается на предмет обнаружения возможного наличия пламени.
- По окончании предварительной вентиляции открываются электроклапаны газойля и происходит запуск горелки.
- Во время работы горелки система розжига отключена.

Отключение регуляции

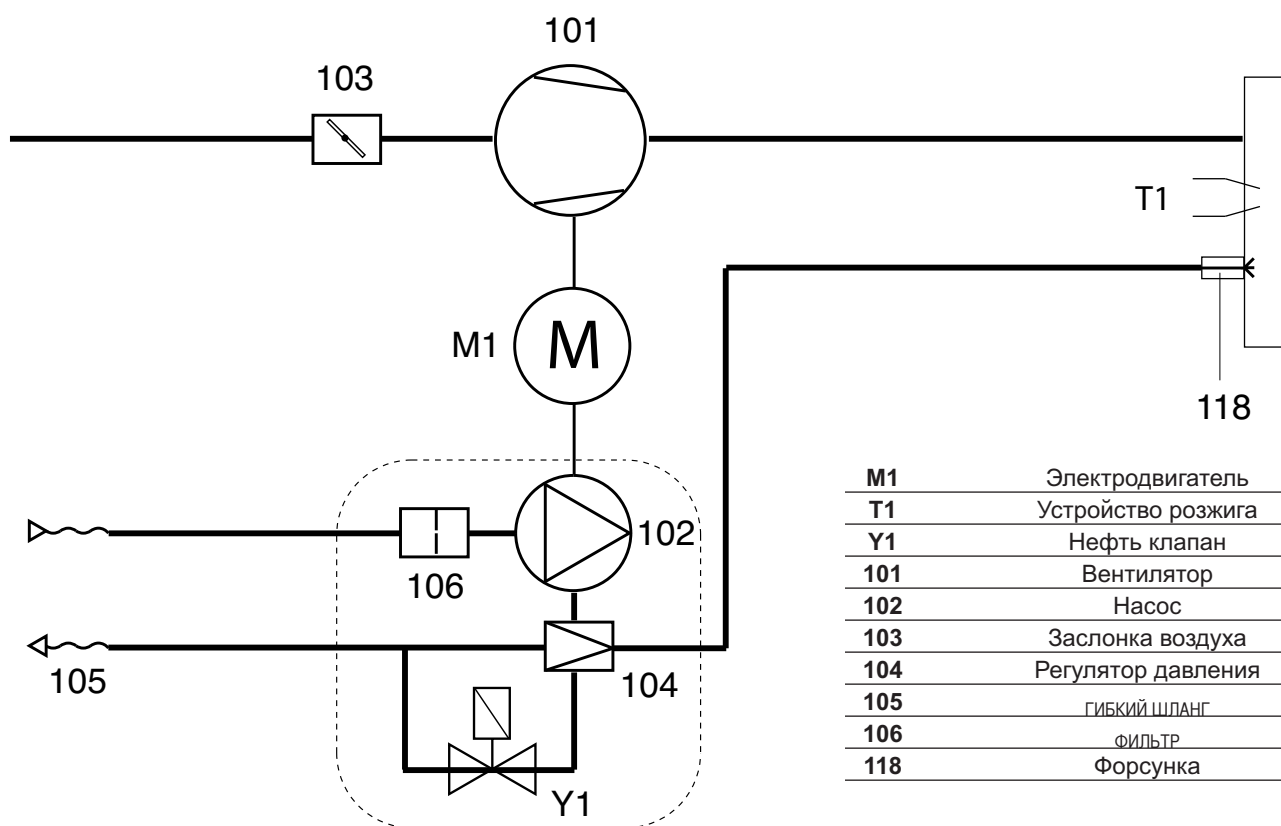
- Регулятор котла прерывает запрос на тепло.
- Электромагнитные топливные клапаны закрываются и пламя гаснет.

- Электродвигатель горелки останавливается.
- Горелка готова к работе.

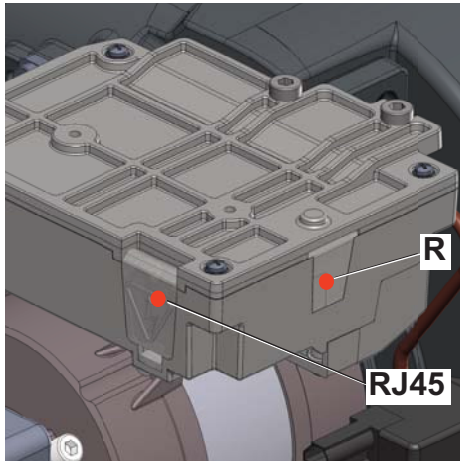
Режим безопасности

Переход в режим безопасности происходит:

- если во время предварительной вентиляции появляется сигнал обнаружения пламени (паразитное пламя);
 - если при розжиге (открытие клапана) по истечении 5 секунд не появляется сигнал обнаружения пламени (время безопасности);
 - если, в случае случайного угасания пламени и после попытки повторного розжига, пламя не появляется.
- Переход в режим безопасности сопровождается включением сигнальной лампы неисправности. После устранения причины неисправности разблокировка горелки выполняется нажатием на кнопку разблокировки. Более детальная информация приведена в описании блока управления и безопасности.



Функция - Блок управления и безопасности E-BCU OIL



R - Кнопка сброса + светодиод сигнализации блокирования.

RJ45 - Разъем для подключения ПК (диагностика, поставляемая отдельно).



Комплект E-BCU диагностических инструментов (не входит в комплект)

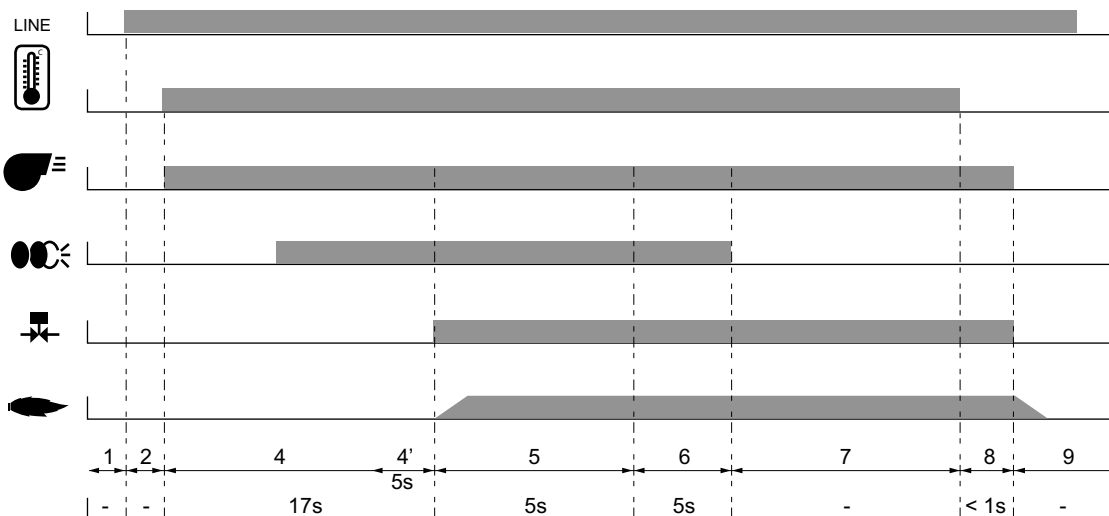
Топливный блок управления и безопасности E-BCU OIL отслеживает и управляет работой горелки с воздушным наддувом. Благодаря тому, что ход программ управляется микропроцессором, обеспечивается стабильная работа на длительном промежутке времени, независимо от изменения напряжения электросети и окружающей температуры. Блок защищен от падения электрического напряжения. Если напряжение сети падает ниже минимального значения (170 В), блок управления выключается и подает аварийный сигнал. Как только напряжение превысит 178 В, блок

управления включается автоматически.

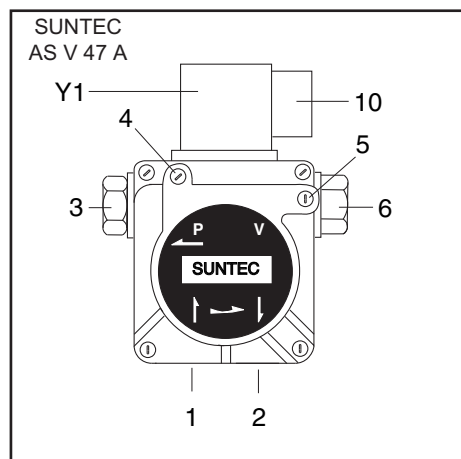
Блокировка и разблокировка
Блок может быть заблокирован (переход в режим безопасности) кнопкой разблокировки R и разблокирован (сброс неисправности) при условии, что блок находится под напряжением.

! Перед тем как осуществить монтаж или демонтаж блока отключите устройство от электропитания. Открывать блок или производить ремонтные работы запрещено!

Символ	Описание
	Ожидание запроса на нагрев котла
	Питание электродвигателя
	Подача напряжения на устройство розжига
	Пламя присутствует



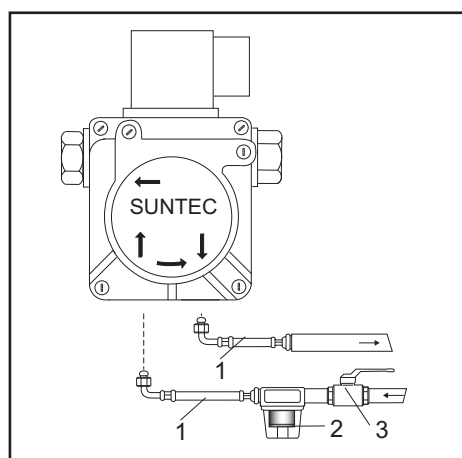
Функция - Насос горелки



- 1 Всасывающий штуцер
- 2 Нагнетательный штуцер
- 3 Штуцер давления
- 4 Точка подключения манометра (давление топлива)
- 5 Точка подключения манометра (разрежение)
- 6 Регулирование давления дизельного топлива
- 10 Электроподключение электромагнитного клапана
- Y1 Электромагнитный топливный клапан

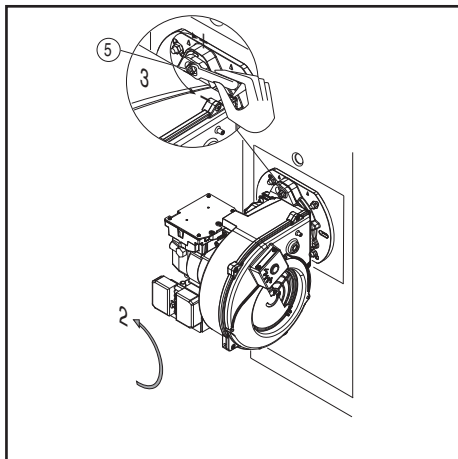
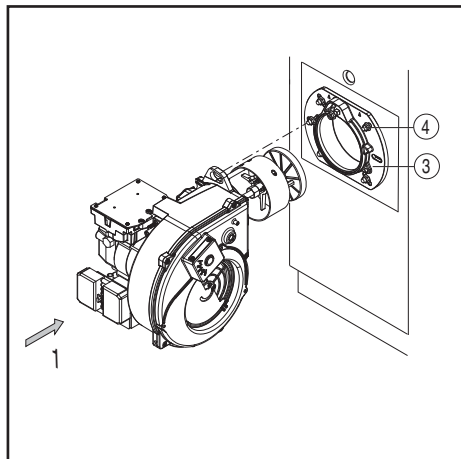
Насос, используемый в горелке газойля – это насос шестерённый самовсасывающий насос, который должен быть соединён с однострубно́й системой; в систему труб аспирации вставить фильтр.
В насос встроены фильтр аспирации и регулятор давления газойля.
Перед вводом в эксплуатацию аппарата подключить манометры для измерения давления и разрежения.

Примечание: Перед запуском горелки проверить, чтобы обратный клапан был открыт. Любое препятствие может вызвать повреждения прокладки насоса.



- 1 ГИБКИЕ ШЛАНГИ
- 2 ФИЛЬТР
- 3 ТОПЛИВНЫЙ КРАН

Установка - Установка горелки



Монтаж горелки

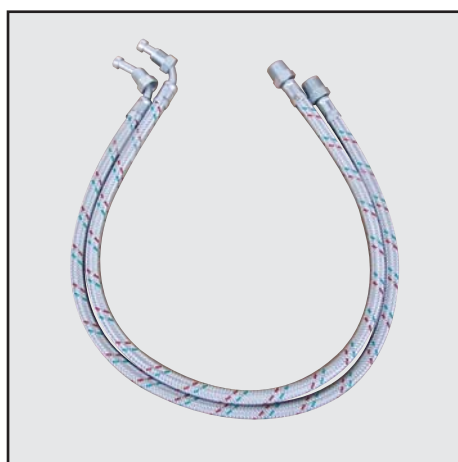
Горелка крепится к фланцу подключения и, следовательно, к котлу, таким образом, камера сгорания будет закрыта герметически.

Монтаж:

- Закрепить фланец креплением 3 к котлу винтами 4.
- Слегка повернуть горелку, Ввести её во фланец и закрепить винтом 5.

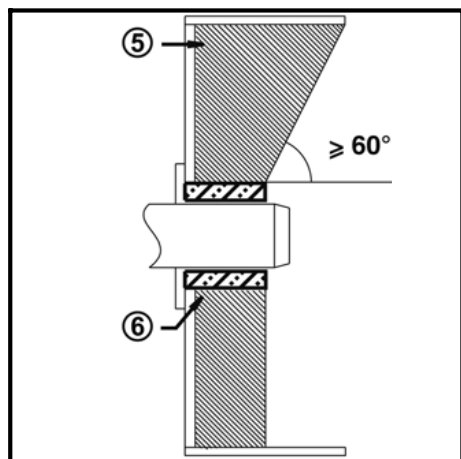
Демонтаж:

- Ослабить винт 5.
- Повернуть горелку и вынуть её из фланца.



Подключение топливопровода

Этот фильтр должен устанавливаться так, чтобы обеспечивалась правильная прокладка шлангов. Шланги не должны пережиматься.



Глубина установки сопла горелки и огнеупорное уплотнение

Для котлов без охлаждения передней стенки и при отсутствии других указаний со стороны производителя котла, необходимо выполнить огнеупорную вставку или теплоизоляцию (5), как показано на рисунке слева. Огнеупорная вставка не должна заходить за передний край сопла горелки, а угол ее конического среза не должен превышать 60°. Воздушный промежуток (6) должен быть заполнен эластичным и невоспламеняемым теплоизоляционным материалом.

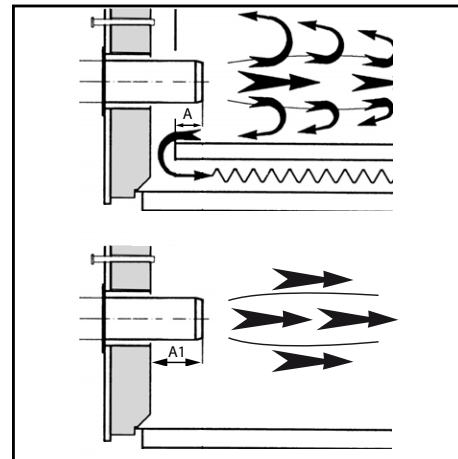
Для котлов при выборе глубины сопла горелки необходимо руководствоваться указаниями производителя котла.

Колонки с обратным пламенем :

A = 50-100 мм.

Колонки с тройной дымовой спиралью :

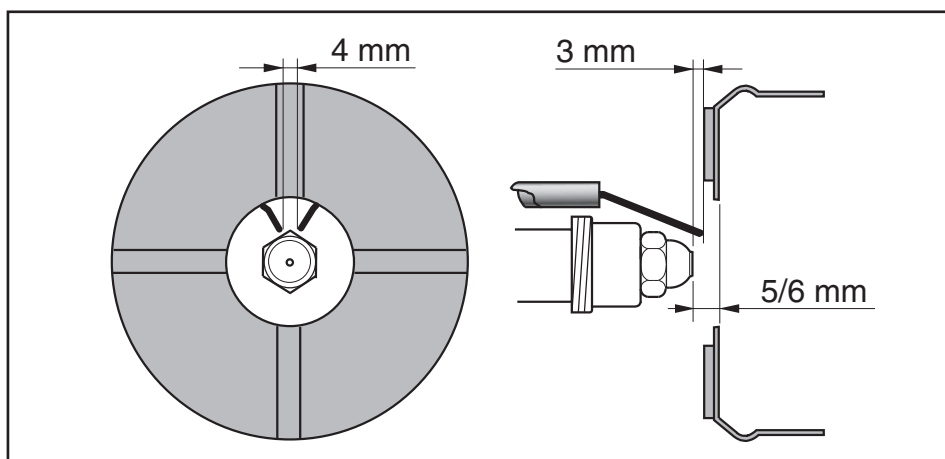
A1 = 50-100 мм.



Система отвода продуктов горения

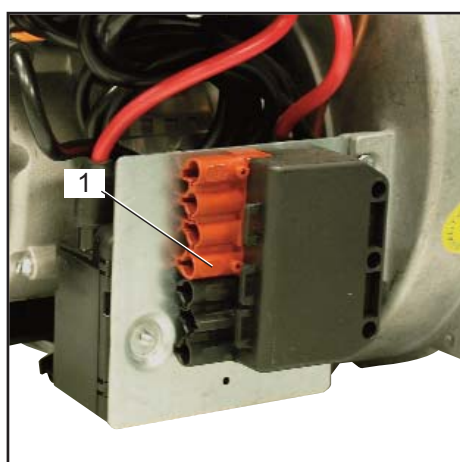
Для предотвращения неприятного шума не рекомендуется применять для соединения котла с дымоходом соединительные детали с проходным каналом, изогнутым под прямым углом.

Установка - Подключение к электросети - Необходимые проверки перед пуском в эксплуатацию



Положение электродов

После замены форсунки обязательно проверьте положение электродов (см. рис.). Неправильное положение электродов может затруднить розжиг горелки.



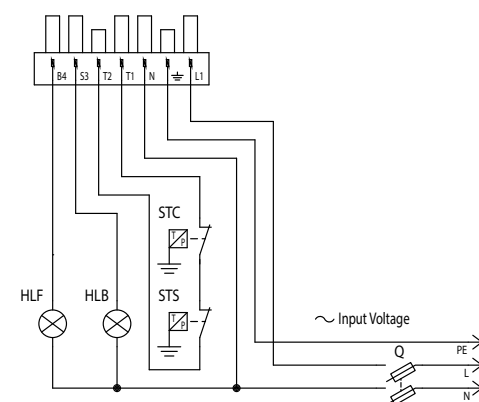
Электроподключение

Электропроводка и все работы по подключению к сети должны выполняться только квалифицированным электриком. Должны выполняться действующие предписания и директивы.

Установка электропитания должна быть оснащена дифференциальным выключателем типа А.

Строго соблюдать действующие предписания и директивы, помимо электросхемы, поставляемой с горелкой!

- Убедитесь, что напряжение электропитания соответствует указанному рабочему напряжению: 230 V, 50/60 Hz однофазный ток с нулевым проводом и заземлением.
- Защита горелки: 5 А



Подключение разъемами

Горелка должна быть изолирована от сети с помощью всеполюсного размыкателя, соответствующего действующим стандартам. Горелка и теплогенератор (котел) соединяются между собой посредством одного семиконтактного (fig.1).

Проверки перед пуском в эксплуатацию

Перед первым запуском следует проверить следующее:

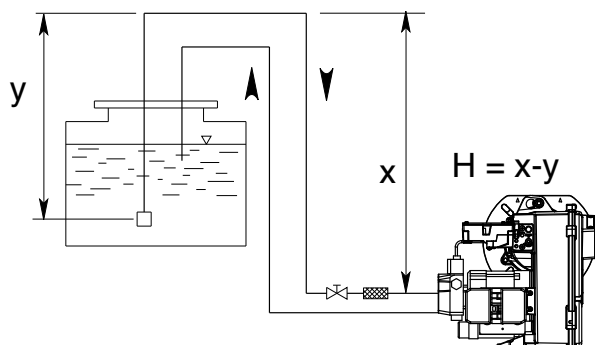
- Убедитесь, что горелка установлена согласно настоящей инструкции.
- Предварительная регулировка горелки выполнена правильно, согласно указанным в таблице регулировок значениям.
- Настройка органов горения
- Теплогенератор должен быть готов к работе согласно инструкции по его использованию.
- Все электрические соединения выполнены правильно.
- Теплогенератор и система отопления заполнены достаточным количеством воды.
- Циркуляционные насосы действуют.
- Регуляторы температуры и давления, устройство защиты от недостатка воды,

а также другие предохранительные и защитные устройства, используемые на установке, правильно подсоединены и действуют.

- Вытяжная труба должна быть прочищена. Устройство для подачи дополнительного воздуха, если оно установлено, в рабочем состоянии.
- Гарантирована подача свежего воздуха.
- Получен запрос на тепло.
- Баки заполнены топливом.
- Топливопроводы установлены согласно техническим нормам, прочищены и проверена их герметичность.
- Согласно существующим нормам на вытяжной трубе должна находиться точка измерения. До этого места труба должна быть герметичной для того, чтобы подсос наружного воздуха не повлиял на результаты измерений.

Установка - Линия питания горючего

Горелка ниже резервуар

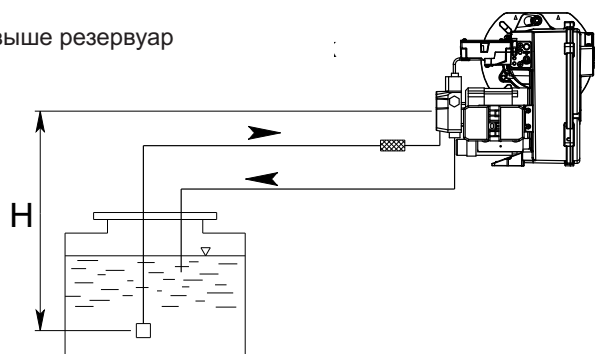


ПИТАНИЕ ГОРЮЧИМ SUNTEC D 57 A

H (m)	Длина топливопровода (m)		
	ø 8 mm	ø 10 mm	ø 12 mm
0	37	95	150
0,5	42	107	150
1	47	118	150
2	65	150	150
3	65	150	150
4	74	150	150

N.B. = X < 20 m

Горелка выше резервуар



H (m)	Длина топливопровода (m)		
	ø 8 mm	ø 10 mm	ø 12 mm
0	37	95	150
0,5	33	84	150
1	28	73	150
2	19	50	107
3	10	27	60
4	0	5	13

У должны быть как можно более низкой, чтобы избежать кавитации. В любом случае Y < 4 м.

Поправка на высоту

Насос в режиме всасывания (H +) или в режиме подпора (H -)

Высота, м	H условная, м
0-500	0
501-800	0,5
801-1300	1,0
1301-1800	1,5
1801-2200	2,0

пример: высота 1100 м. H условная = 1 м H действительная 2 м. H рассчитанная в режиме всасывания 2 + 1 = 3 м H рассчитанная в режиме подпора 2 - 1 = 1 м Определите по таблице диаметр трубопровода в зависимости от его развернутой длины между топливным баком и насосом. Если H рассчитанная в режиме всасывания превышает 4 м; необходимо установить подкачивающий насос. (максимальное давление 2 бар).

! Длина труб относится к горелкам, запитанным от сети 50 Гц; в случае электропитания 60 Гц разделить указанную длину на 1,5.

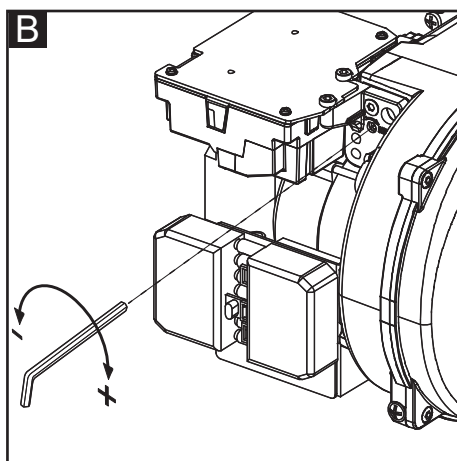
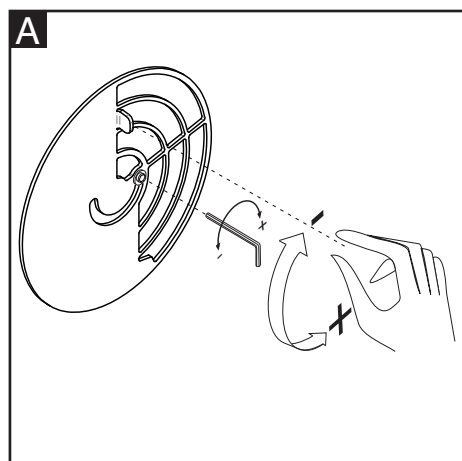
Ввод в эксплуатацию - Данные конфигурации - Регулировка подачи воздуха

	ФОРСУНКА		НАСОС	РАСХОД	РЕГУЛИРОВКА ОГНЕВОЙ ГОЛОВКИ	РЕГУЛИРОВКА РАСХОДА ВОЗДУХА
	галлон /час	spry	бар	кг/ч	положение	положение
MAX 20 HT	3,50	60°	12		2,5	4,5
MAX 30 HT						

Указанные выше регулировки – это основные регулировки. С этими установками, обычно, горелка может быть введена в эксплуатацию. Регулировка должна быть проверена с использованием анализатора сгорания.

Могут стать необходимыми корректировки, подчиняющиеся отдельной установке. Благоприятных значений показателей сгорания можно достичь посредством использования следующих форсунок :

DANFOSS H+S 80°+60°
 DELAVAN W 60°
 STEINEN S 60°



Регулировка воздуха (A).

Вывинтите винт отладки с шестиугольным гаечным ключом:

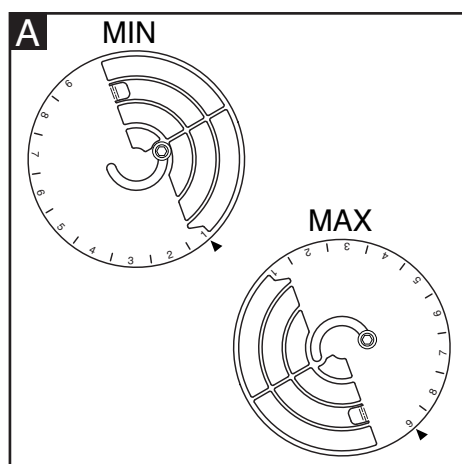
- поворачивая против часовой стрелки, расход увеличится.
- поворачивая по часовой стрелке, расход уменьшается.

Достигл требуемое значение для того чтобы исправить винт.

Регулировка огневой головки (B).

Повернуть винт, как на рисунке:

- повернуть гаечным ключом до достижения желаемой величины (показатель от 0 до 4,5).



! **Опасность вспышки!** Постоянно контролируйте содержание CO, CO2 и дымовые выбросы в процессе регулировки. В случае образования CO оптимизируйте значения горения. Содержание CO не должно превышать 50 пропромилле.

Ввод в эксплуатацию - Регулировка горелки - Регулировка давления дизельного топлива

Запуск горелки

Перед запуском горелки заполнить систему труб до заполнения фильтра газойля. Затем, запустите горелку, включив регулятор котла. Для обеспечения полного удаления воздуха из топливопровода во время фазы предварительной вентиляции откройте винт продувки на топливном фильтре. При этом разрежение не должно опускаться ниже 0,4 бар. Когда фильтр полностью заполнится топливом и топливо появится на поверхности без

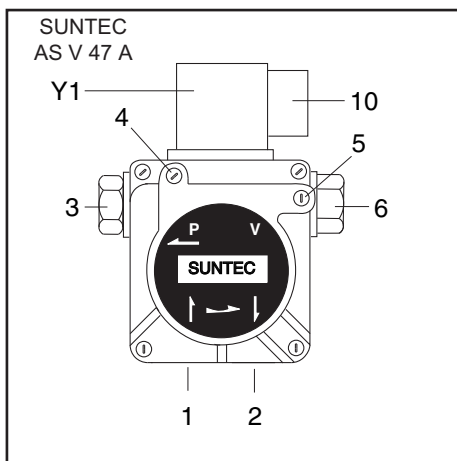
пузырьков воздуха, закройте винт продувки.

Регулировка мощности горелки

Отрегулировать давление газойля таким образом, что горелка будет иметь желаемую мощность, поворачивая регулятор давления. Всегда проверяйте показатели сгорания (CO, CO₂, показатель задымленности). При необходимости, измените расход воздуха, при необходимости увеличив его.

поведение при запуске и показатели сгорания. При необходимости компенсируйте изменение расхода воздуха, регулируя положение воздушной заслонки.

Внимание! Соблюдайте минимальную необходимую температуру топочных газов, следуя указаниям производителя котла и принимая во внимание тип вытяжных труб, чтобы избежать эффекта конденсации.



- 1 Всасывающий штуцер.
- 2 Нагнетательный штуцер.
- 3 Штуцер давления.
- 4 Точка подключения манометра (давление топлива).
- 5 Точка подключения манометра (разрежение).
- 6 Регулирование давления дизельного топлива.
- 10 Электроподключение электромагнитного клапана.
- Y1 Электромагнитный топливный клапан.

Оптимизация показателей сгорания

В случае неудовлетворительных значений показателей сгорания изменить положение огневой головки. Таким образом будут изменены

Регулирование давления дизельного топлива

Для регулировки давления газойля (и, следовательно, мощности горелки) повернуть регулятор давления 5 насоса. Поворот:
- вправо: увеличение давления
- влево: уменьшение давления
Для контроля необходимо подключить манометр к подсоединению, манометр 3, резьба R1/8".

Контроль разрежения

Вакуумметр для контроля разрежения устанавливается в точке измерения 4, резьба R1/8".
Максимальное допустимое разрежение: 0,4 бар. При большем разрежении топливо превращается в газ, что приводит к возникновению треска в

Контроль работы

Технический контроль безопасного горения должен осуществляться как при первом пуске, так и после проведения ремонта, осмотров или продолжительного простоя оборудования.

- Попытка запуска с перекрытым фотоэлементом детектора пламени:

по истечении времени безопасности блок управления и безопасности должен перейти в двигаться аномалия.

- Попытка запуска с освещенным фотоэлементом детектора пламени: после 10-секундной предварительной вентиляции блок управления и безопасности должен перейти в

двигаться аномалия.

- Обычный пуск: если горелка работает, переключите фотоэлемент детектора пламени: после нового запуска по истечении времени безопасности блок управления и безопасности должен перейти в двигаться аномалия.

Регистрация данных о вводе в эксплуатацию		
Тест	n°1	n°2
Дата		
Модель		
Тип мазута		
Значение калорийности мазута		
Мощность горелки min	кВт	
Мощность горелки max	кВт	
Температура дыма	С°	
Температура воздуха	С°	
CO ₂	%	
CO	ppm	
NOx	ppm	
КПД	%	
Корректирующие действия		
Имя оператора		
Предприятие		

Техническое - Работы по техническому обслуживанию

Работы по техническому обслуживанию котла и горелки должны выполняться только специалистом-теплотехником. Для обеспечения регулярного обслуживания пользователю рекомендуется заключить договор на техническое обслуживание.

Внимание

• Перед выполнением любых работ по техническому обслуживанию и очистке отключите электропитание.

• Блокирование и компоненты головки могут быть горячими.

Проверка температуры топочных газов

- Регулярно проверяйте температуру дымовых газов.
- Выполняйте очистку котла, если температура продуктов сгорания более чем на 30° С превышает значение температуры, измеренное при пуске горелки в эксплуатацию.
- С целью упрощения контроля

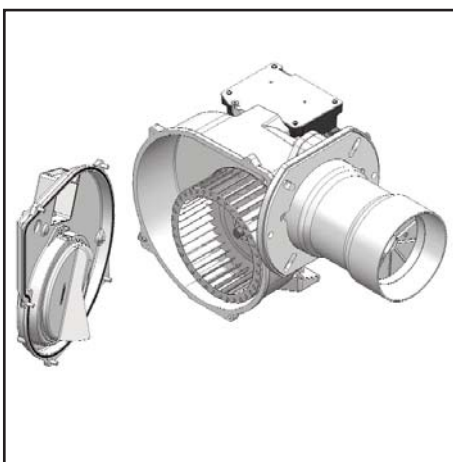
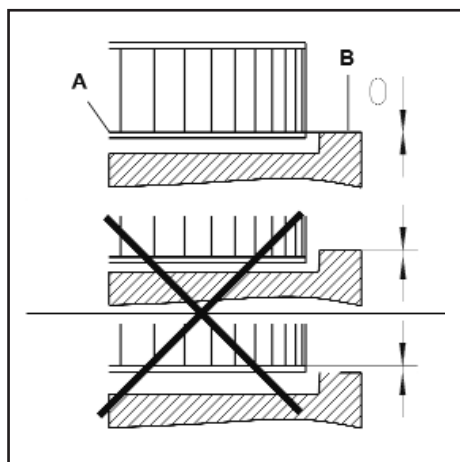
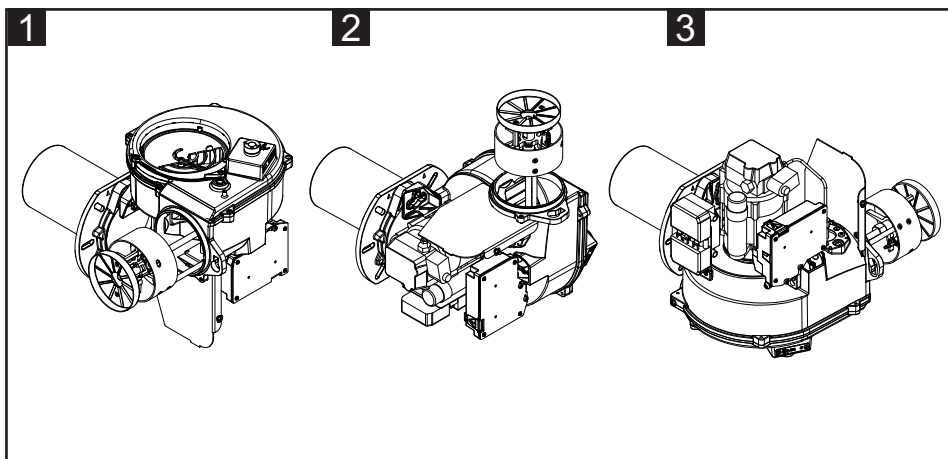
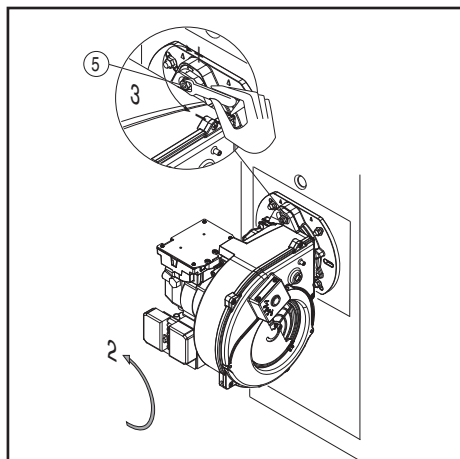
установить дисплей для визуализации температуры выхлопных дымов.

Положения техобслуживания

- После ослабления винта 5 и отсоединения горелки можно закрепить её в трёх положениях технического обслуживания.

Положение 1

Теобслуживание линии подачи воздуха (чистка/замена крыльчатки вентилятора).



Положение 2

Для замены форсунки и замены/регулировки электродов.

Положение 3

Для замены насоса газойля заменить и фильтра.

Положения для технического обслуживания

Положение для технического обслуживания No1

- Проверьте рабочее колесо вентилятора и корпус и убедитесь, что они не повреждены.

Положение для технического обслуживания No2

- Проверьте и очистите головку горелки.
- Замените форсунку.

- Проверьте электроды, при необходимости отрегулируйте или замените их.

- Установите головку горения.

Проверьте регулировки.

- Установите горелку.
- Запустите горелку, проверьте процесс сгорания и, при необходимости, откорректируйте регулировки горелки.

Положение для технического обслуживания No3

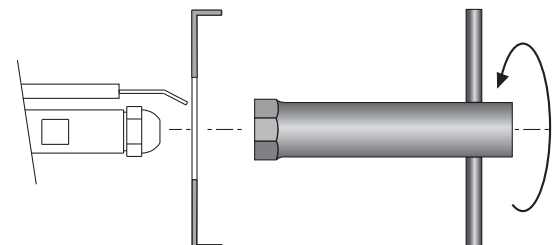
- Все компоненты системы подачи топлива (шланги, насос, трубка соединения с линией форсунки) и их соединения должны быть проверены (герметичность, износ) и, при необходимости, заменены.
- Проверьте все электрические подключения и кабели, при необходимости замените их.
- Проверьте состояние фильтра насоса и, при необходимости, очистите его.

Агрегат вентилятора

При замене электродвигателя или рабочего колеса, сверяйтесь с приведенной напротив схемой установки. Внутренняя сторона А фланца рабочего колеса должна быть на одном уровне с панелью В. Вставьте линейку между лопатками рабочего колеса и приведите элементы А и В к одному уровню. Затянуть винт без головки с надрезом на крыльчатке вентилятора (положение техобслуживания 1).

Чистка и замена форсунки

Для демонтажа форсунки пользуйтесь исключительно имеющимся в комплекте ключом. Обратите внимание на то, чтобы не повредить электроды. Установите новую форсунку, при этом монтаж следует выполнять с максимальной осторожностью. NB: После замены форсунки обязательно проверьте положение электродов (см. рис.). Неправильное положение электродов может затруднить розжиг горелки.



Техническое - Возможные неполадки

Причины неисправностей и способы их устранения

При отклонениях от нормы, должны быть проверены нормальные условия для работы горелки:

1. Есть электрический ток?
2. Есть топливо в баке?
3. Все запорные краны открыты?
4. Правильно ли настроены все регулирующие и предохранительные устройства, такие как термореле котла, предохранитель от недостатка воды, электрические концевые выключатели?

В случае, если после контролей в названных точках аномалия сохранится, пользоваться следующей таблицей.

Ни один из существенных компонентов системы безопасности не должен ремонтироваться; эти компоненты должны заменяться компонентами с таким же обозначением.

Используйте только оригинальные запасные части.

ВВ: После проведения любых работ:

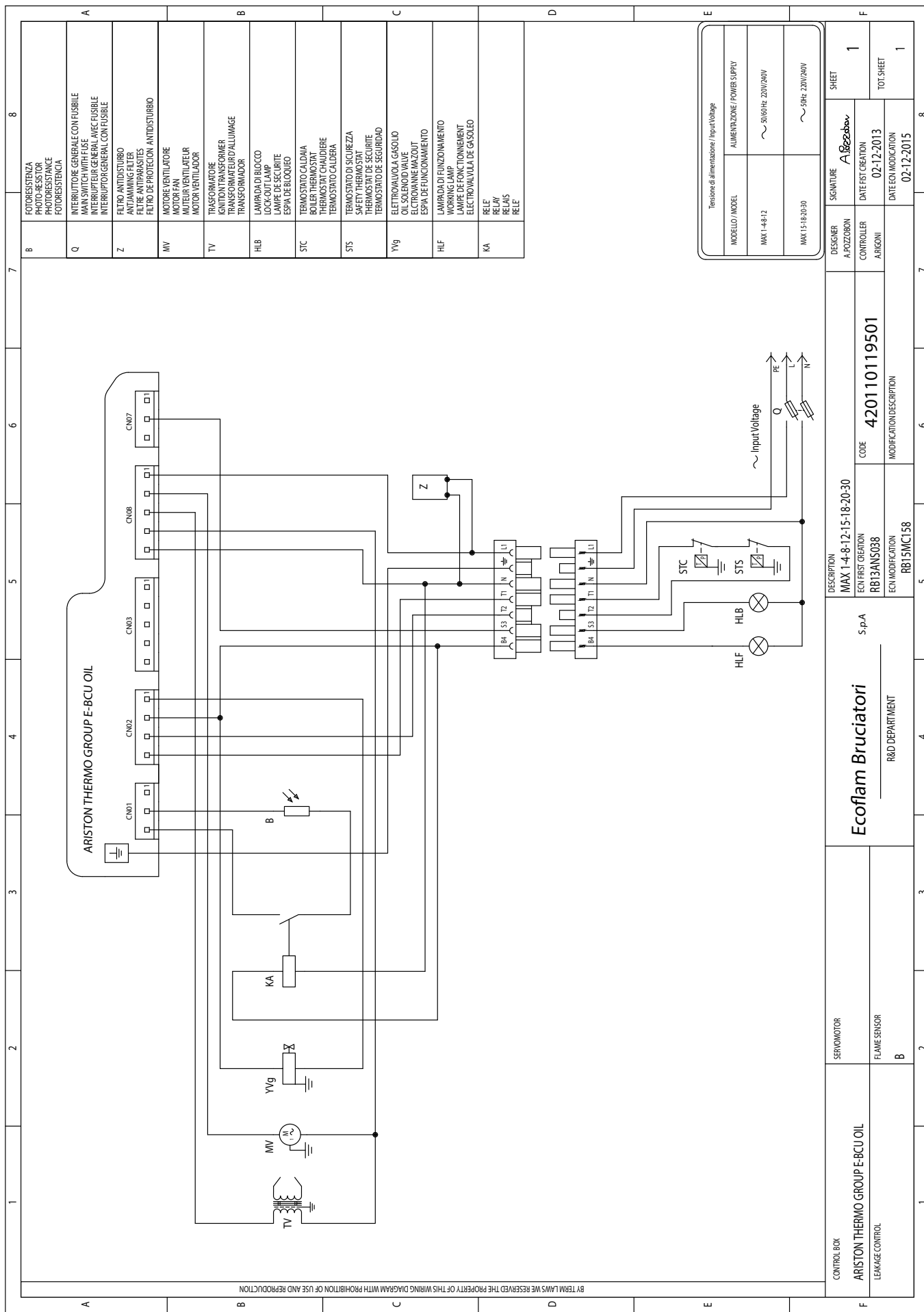
- выполните проверку параметров горения в реальных условиях эксплуатации (дверцы закрыты, крышка на месте и т. д.).
- отрегулировать параметры сгорания в технических документах станции.

E-BCU display: интерфейс должен быть использован персоналом, выполняющим техническое обслуживание с целью считывать аномалии горелки.



Символ	Состояния	Причины	Способ устранения
	Нет запроса на тепло	Термостаты неисправны или не настроены	Отрегулируйте или замените термостаты
	Напряжение питания ниже минимально необходимого значения.	Понижение напряжения электропитания или его отсутствие. Неисправность блока.	Проверьте причину понижения напряжения или его отсутствия. Замените блок.
	При подаче напряжения горелка запускается на очень короткое время и выключается, включение индикатора блокирования	Блок управления самозаблокировался.	Разблокируйте блок.
	Горелка запускается и останавливается после предварительной вентиляции	Паразитное пламя во время предварительной вентиляции или во время предварительного розжига.	Проверьте наличие запальной искры / отрегулируйте электрод / замените Проверьте / замените электромагнитный топливный клапан.
	Горелка запускается и останавливается после открывания электромагнитных клапанов	Отсутствие пламени к концу времени безопасности.	Проверьте уровень топлива в баке. Если уровень недостаточен, заполните цистерну. Откройте клапаны. Проверьте давление топлива и работу насоса, подсоединения фильтра и электромагнитного клапана. Проверьте цепь розжига, электроды и их регулировки. Очистите электроды. Очистите или замените детектор пламени.
	Неисправность системы контроля пламени во время работы.	Пламя гаснет во время работы.	При необходимости замените следующие детали: электроды розжига / кабели розжига / устройство розжига / форсунку / насос / электромагнитный клапан / блок управления и безопасности.

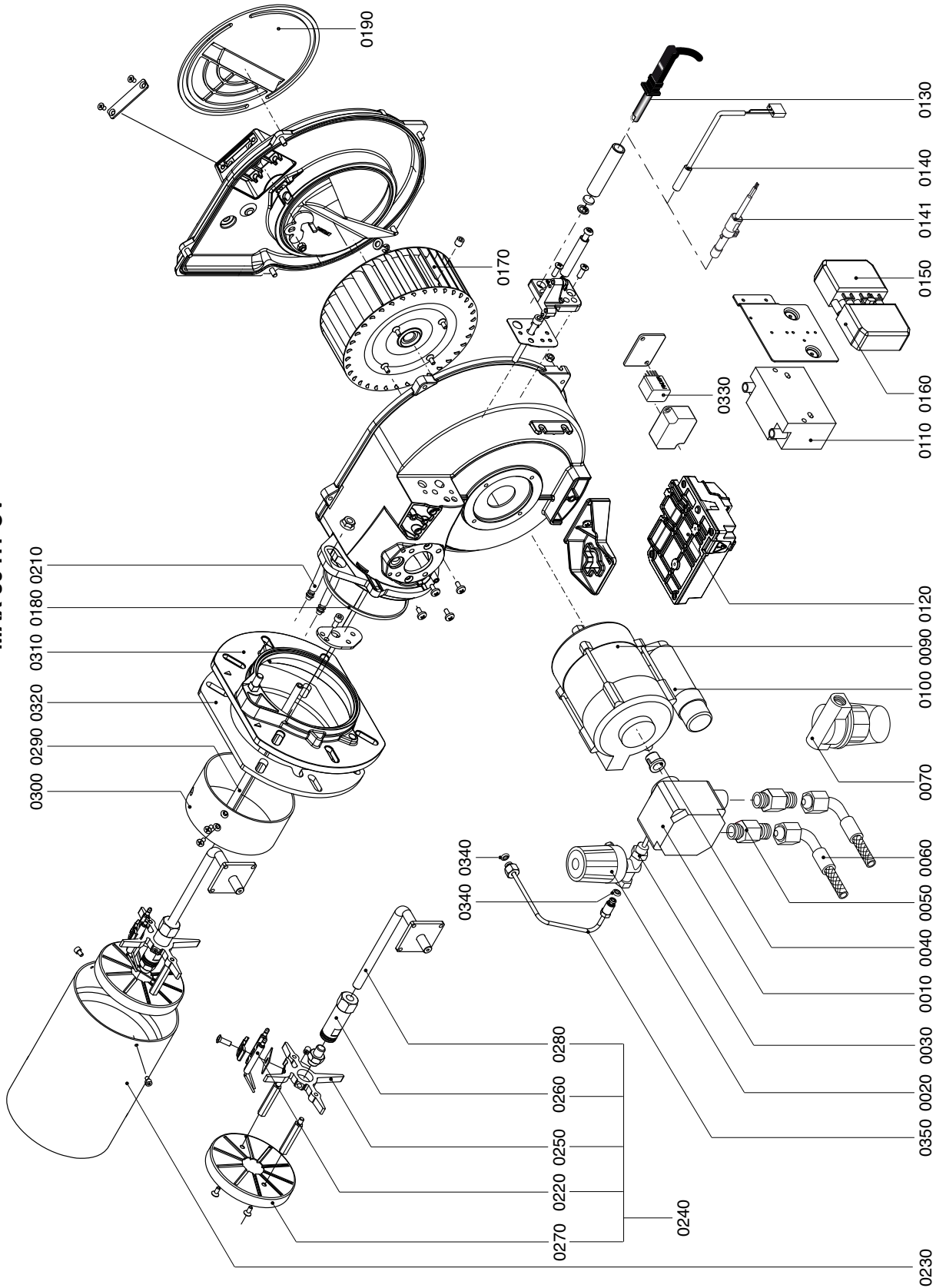
Overview - Electric diagrams / Panoramica - Schemi elettrici / Vue d'ensemble - Schémas électrique / Descripción - Esquemas eléctrico /
Обзор - Электрические схемы



BY TERM LAMS WE RESERVE THE PROPERTY OF THIS WIRING DIAGRAM WITH PROHIBITION OF USE AND REPRODUCTION

Overview - Spare parts list / Panoramica - Parti di ricambio / Vue d'ensemble - Pièces de rechange / Descripción - Piezas de recambio /
Обзор - Запчасти

MAX 20 HT CV
MAX 30 HT CV



Overview - Spare parts list / Panoramica - Parti di ricambio / Vue d'ensemble - Pièces de rechange / Descripción - Piezas de recambio /
Обзор - Запчасти

N°	DESCRIPTION	DESCRIZIONE	DESIGNATION	DESCRIPCIÓN	НАИМЕНОВАНИЕ	MAX 20 HT CV	MAX 30 HT CV	MAX 30 HT CV
						code	code	code
0010	OIL PUMP	POMPA	POMPE COMPLETE	POMPA	НАСОС	65325111	SUNTEC ASV 47 A	65325111
0020	COIL	BOBINA	BOBINE ELECTROVANNE	BOBINA	КАТУШКА	65323767	SUNTEC	65323767
0030	OIL VALVE	VALVOLA	VALVINE	VALVOLA	КЛАПАН	65323744	SUNTEC	65323744
0040	COUPLING	GIUNTO	JOINT D'ACCOUPLIEMENT	ACOPLAMIENTO	МУФТА	65322920		65322920
0050	NIPPLE	RACCORDO PER FLESSIBILE	MAMELONS	TUERCA	ФЛАНГ ДЛЯ ГИБК ШЛАНГА	65321179	TN 6X700	65321179
0060	HOSES	TUBO FLESSIBILE	FLEXIBLES	LATIGUILLLOS	ГИБКИЙ ШЛАНГ	65323189	TN 6X700	65323189
0070	FILTER	FILTRO	FILTRE	FILTRO	ФИЛЬТР	65325046	ART.70451-006AV	65325046
0080	COVER	COVERCHIO	COUVERCLE	TAPA	КРЫШКА	-		-
0090	MOTOR	MOTORE	MOTEUR	MOTOR	ДИВАТЕЛЬ	65322876	200 W	65322876
0100	CAPACITOR	CONDENSATORE	CONDENSATEUR	CONDENSADOR	КОНДЕНСАТОР	65325000	6.3 µF SIMEL	65325000
						65321850	6 µF AEG	65321850
0110	IGNITION TRANSFORMER	TRASFORMATORE	TRANSFORMATEUR	TRANSFORMADOR	ТРАНСФОРМАТОР	65323257		65323257
0120	CONTROL BOX	APPARECCHIATURA	COFFRET DE SECURITE	EQUIPO CONTROL LLAMA	КОНТРОЛЬНАЯ АППАРАТУРА	65325986	ARISTON E-BCU OIL CV	65325986
0130	PHOTORESISTOR	FOTORESISTENZA	CELLULE	FOTORESISTENCIA	ФОТОРЕЗИСТОР	65320083	SATRONIC	65320083
0140	PHOTORESISTOR	FOTORESISTENZA	CELLULE	FOTORESISTENCIA	ФОТОРЕЗИСТОР	65326434	QRB1	65326434
0141	PHOTOTRANSISTOR	FOTOTRANSISTOR	CELLULE	FOTOTRANSISTOR	ФОТОРЕЗИСТОР	65327896	FTEB1 F MM 340 J1	65327896
0150	SOCKET WIELAND	PRESA WIELAND	FICHE FEMELLE WIELAND	TOMA WIELAND	РАЗЪЕМ WIELAND	65322070		65322070
0160	PLUG WIELAND	SPINA WIELAND	FICHE MALE WIELAND	ESPIÑA WIELAND	ВЫЛКА WIELAND	65322069		65322069
0170	FAN	VENTOLA	TURBINE	VENTILADOR	ВЕНТИЛЯТОР	65323820	160 x 62	65323820
0180	ORING	GUARNIZIONE	ORING	ORING	УПЛОТИТЕЛЬНАЯ ПРОКЛАДКА	65321061		65321061
0190	AIR DAMPER	SERRANDA	VOLET D'AIR	REGISTRO AIRE	ВОЗДУШНАЯ ЗАСЛОНКА	65321216		65321216
0200	COVER AIR INLET	CASSETTO	BOITE D'AIR	CIERRE EN ASPIRACIÓN	ВОЗДУХОЗАБОР	-		-
0210	CABLES	CAVI ACCENSIONE	CABLE HT	CABLES	ПРОВОДА РОЗЖИГА	65325277	TC	65325277
						65325370	TL	65325370
0220	ELECTRODES	ELETTRODI	ELECTRODE	ELECTRODOS	ЭЛЕКТРОДЫ	65320924		65320924
0230	BLAST TUBE	BOCCAGLIO	GUEULARD	TUBO LLAMA	СТАКАН	65320396	TC	65320396
						65320397	TL	65320397
0240	FIRING HEAD	TESTA DI COMBUSTIONE	TETE DE COMBUSTION	CABEZA DE COMBUSTION	ОГНЕВАЯ ГОЛОВКА	65322567	TC	65322567
						65325374	TL	65325374
0250	NOZZLE HOLDER SUPPORT	CROCIERA	SUPPORT PORTE GICLÉUR	SOPORTE PORTAINYECTOR	КРЕТОВИНА	65320690		65320690
0260	NOZZLE HOLDER	PORTA UGELLO	PORTE GICLÉUR	PORTAINYECTOR	ДЕРЖАТЕЛЬ ФОРСУНКИ	65320707		65320707
0270	DIFFUSER	DIFFUSORE	DEFLECTEUR	DIFUSOR	РАСРЕКАТЕЛЬ	65320789		65320789
0280	ROD	ASTA SUPPORTO TESTA	SUPPORT	SOPORTE CABEZA DE COMBUSTION	КРЕПЕЖНАЯ ТРУБКА ГОЛОВКИ	65320191	TC	65320191
						65320192	TL	65320192
0290	WAISTBAND ROD	ASTA SUPPORTO FASCIA	TIGE DE SUPPORT POUR CHAPE	SOPORTE DEL CILINDRO DE AJUSTE DELAIRE	КРЕПЕЖНАЯ ТРУБКА МАНАЖЕТЫ	65320195	TC	65320195
						65320196	TL	65320196
0300	WAISTBAND	FASCIA	CHAPE METALLIQUE	CILINDRO DE AJUSTE DELAIRE	МАНАЖЕТА	65320224		65320224
0310	FLANGE	FLANGIA	BRIDE	BRIDA	ФЛАНЕЦ	65320971		65320971
0320	GASKET	GUARNIZIONE BRUCIATORE	JOINT DE BRULEUR	JUNTA	ПРОКЛАДКА ГОРЕЛКИ	65321106		65321106
0330	RELAY	RELE	RELAIS	RELE	РЕЛЕ	65323139	FINDER 5532	65323139
0340	PIPE GASKET	GUARNIZIONE TUBO	JOINT DE TUYATERIE	JUNTA DE TUBO	PIPE GASKET	65321065		65321065
0350	PIPE	TUBO	TUYATERIE	TUBO	PIPE	65321502		65321502

TC = Testa corta / Short Head / Tete courte / Cabeza corta / КОРОТКАЯ ОГНЕВАЯ ГОЛОВКА TL = Testa lunga / Long Head / Tete longue / Cabeza larga / ДЛИННАЯ ОГНЕВАЯ ГОЛОВКА

Contents - Conformity declaration / Contenuti generali - Dichiarazione di conformità / Contenus généraux - Déclaration de conformite / Contenidos generales - Declaración de conformidad / Содержание - Сертификат соответствия

Declaration of conformity for oil burners

We,
Ecoflam Bruciatori S.p.A.

declare under our sole responsibility that the light oil burners named

MAX

conform to the following standards:

EN 267	EN 50156-1
EN 55014-1	EN 55014-2
EN 60335-1	EN 60335-2-102
EN 61000-6-2	EN 61000-6-3

These products bear the CE mark in accordance with the stipulations of the following directives:

2014/35/UE Low Voltage Directive
2014/30/UE EMC Directive
2006/42/EC Machine directive
2011/65/EU RoHS2 directive
(EU) 2016/426 Gas Appliance Regulation.

April, 2018 / Mr. Filippo Maltempì

R&D Director


Dichiarazione di conformità per bruciatori a gasolio

Noi,
Ecoflam Bruciatori S.p.A.

dichiariamo sotto la nostra responsabilità, che i bruciatori a gasolio

MAX

sono conformi alle norme elencate:

EN 267	EN 50156-1
EN 55014-1	EN 55014-2
EN 60335-1	EN 60335-2-102
EN 61000-6-2	EN 61000-6-3

Questi prodotti vengono contrassegnati con il marchio CE nel rispetto delle direttive:

2014/35/UE Low Voltage Directive
2014/30/UE EMC Directive
2006/42/EC Machine directive
2011/65/EU RoHS2 directive
(EU) 2016/426 Gas Appliance Regulation.

April, 2018 / Mr. Filippo Maltempì

R&D Director


Déclaration de conformité pour brûleurs fuel

Nous,
Ecoflam Bruciatori S.p.A.

déclarons sous notre responsabilité, que les brûleurs fuel

MAX

sont en conformité avec les normes suivantes:

EN 267	EN 50156-1
EN 55014-1	EN 55014-2
EN 60335-1	EN 60335-2-102
EN 61000-6-2	EN 61000-6-3

Ces produits sont marqués avec la marque CE dans le respect des directives:

2014/35/UE Low Voltage Directive
2014/30/UE EMC Directive
2006/42/EC Machine directive
2011/65/EU RoHS2 directive
(EU) 2016/426 Gas Appliance Regulation.

April, 2018 / Mr. Filippo Maltempì

R&D Director


Declaración de conformidad para quemadores de gasóleo

Nosotros,
Ecoflam Bruciatori S.p.A.

declaramos bajo nuestra responsabilidad que los quemadores de gasóleo

MAX

cumplen las normas siguientes:

EN 267	EN 50156-1
EN 55014-1	EN 55014-2
EN 60335-1	EN 60335-2-102
EN 61000-6-2	EN 61000-6-3

Estos productos están marcados con la marca CE de conformidad con la directivas:

2014/35/UE Low Voltage Directive
2014/30/UE EMC Directive
2006/42/EC Machine directive
2011/65/EU RoHS2 directive
(EU) 2016/426 Gas Appliance Regulation.

April, 2018 / Mr. Filippo Maltempì

R&D Director


Сертификат соответствия дизельных горелок

Мы, компания
Ecoflam Bruciatori S.p.A.

заявляем под свою ответственность, что горелки на газойле

MAX

соответствуют требованиям следующих стандартов:

EN 267	EN 50156-1
EN 55014-1	EN 55014-2
EN 60335-1	EN 60335-2-102
EN 61000-6-2	EN 61000-6-3

Эти изделия маркируются знаком CE в соответствии с директивами:

2014/35/UE Low Voltage Directive
2014/30/UE EMC Directive
2006/42/EC Machine directive
2011/65/EU RoHS2 directive
(EU) 2016/426 Gas Appliance Regulation.

April, 2018 / Mr. Filippo Maltempì

R&D Director


Ecoflam

Ecoflam Bruciatori S.p.A.

Via Roma, 64 - 31023 Resana (TV) - Italy

Tel. +39 0423 719500

Fax +39 0423 719580

<http://www.ecoflam-burners.com>

e-mail: export@ecoflam-burners.com

Società soggetta alla direzione e al coordinamento di Ariston Thermo S.p.A.

Via A. Merloni, 45 - 60044 Fabriano (AN) - CF 01026940427

Ecoflam Bruciatori S.p.A. reserves the right to make any adjustments, without prior notice, which is considered necessary or useful to its products, without affecting their main features

Ecoflam Bruciatori S.p.A. si riserva il diritto di apportare ai prodotti le modifiche che riterrà necessarie o utili, senza pregiudicare le caratteristiche principali.

La maison Ecoflam Bruciatori S.p.A. se réserve le droit d'apporter les modifications qu'elle jugera nécessaires ou utiles à ses produits sans pour autant nuire à leurs caractéristiques principales

Ecoflam Bruciatori S.p.A. se reserva el derecho a introducir en sus productos todas las modificaciones que considere necesarias o útiles, sin perjudicar sus características

"Ecoflam Bruciatori S.p.A." оставляет за собой право вносить в конструкцию оборудования любые необходимые изменения без особого предупреждения